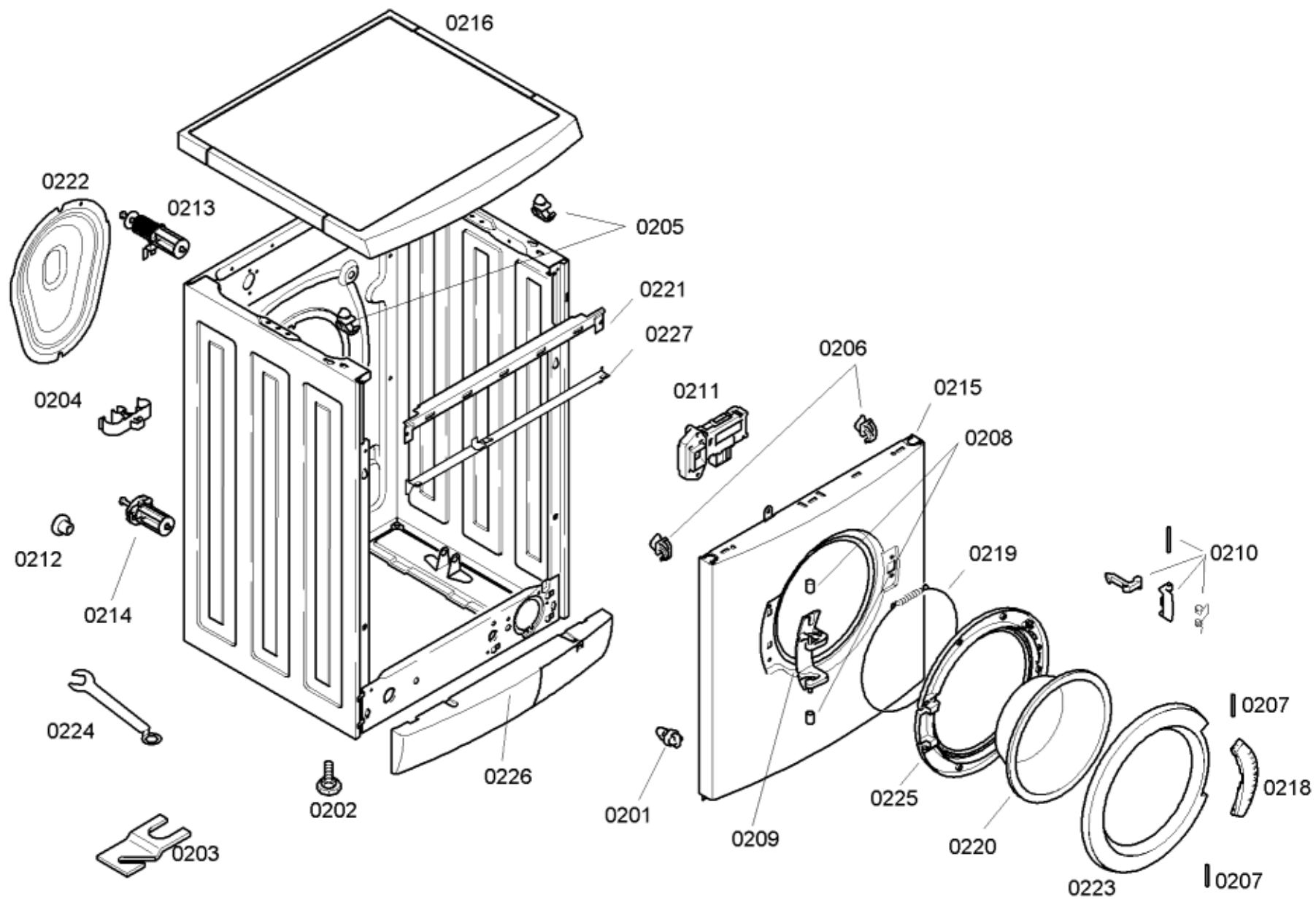
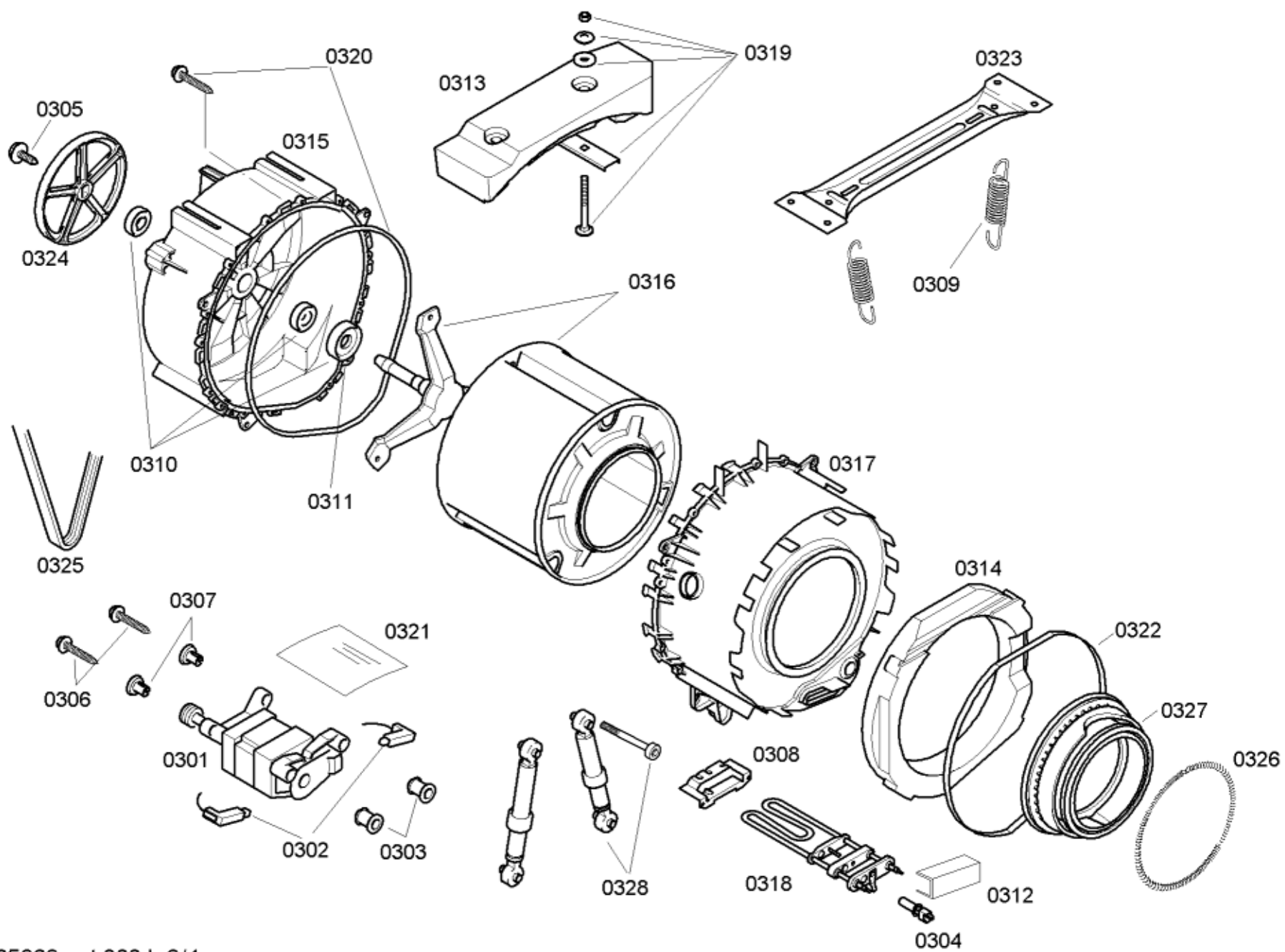


Position ID	Spare part no.	Replacement	Description
0101	00424361	00600110	Cable harness
0102	00423701		Cable harness
0103	00423704		Cable harness
0104	00172697		Coupling
0105	00172699		Knob-programme
0106	00181928	00623842	Capacitor-interference suppre.
0107	00423702		Cable harness
0108	00266722	00481580	Power cord
0110	00440012	00443356	Control module
0112	00172698		Coupling
0113	00172700		Knob-RPM



Position ID	Spare part no.	Replacement	Description
0201	00066788		Holder
0202	00067332	00621463	Foot
0203	00090451		Cover
0204	00095209		Holder
0205	00167581		Holder
0206	00167587	00067083	Holder
0207	00171255		Axis
0208	00171264		Bushing
0209	00171269		Hinge-window
0210	00181984	00634207	Latch
0212	00182194		Lid
0213	00186869	00429205	Transit bolt
0214	00186870		Transit bolt
0216	00218343		Worktop
0217	00236690		Housing
0218	00266751		Handle
0219	00354126	00439671	fastening ring
0220	00354128	11020392	Window
0221	00358923		Rail
0222	00362761		Case-rear part
0223	00366232		Frame-window
0224	00416875		Auxiliary tool
0225	00432073		Ring
0226	00434552	00796389	Panel-base
0227	00435791		Rail
0211	00426992	00603514	Electric lock
0215	00473955	00235567	Front panel



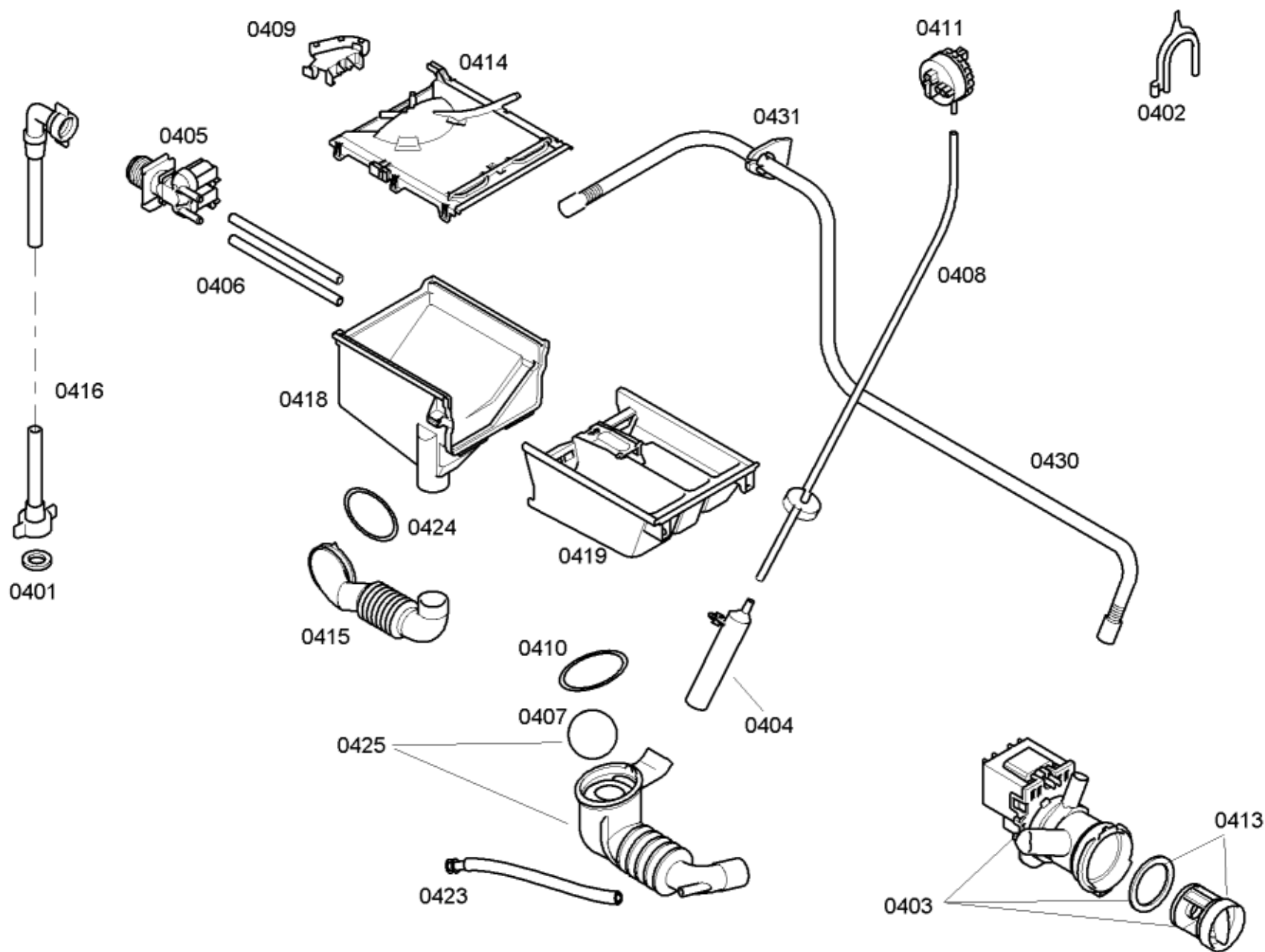
Position ID	Spare part no.	Replacement	Description
0302	00154740		Carbon-brush
0303	00168798		Holder
0304	00170961		Sensor-NTC
0305	00171270		Screw
0306	00171271		Screw
0307	00171272		Fixture
0308	00171273		Holder
0309	00171275	00606818	Spring-tank
0310	00172686		Bearing set
0311	00171291	00613082	Shaft seal
0312	00172719		Cover
0313	00214720		Weight
0314	00214721	00773470	Weight
0315	00236013		Tub
0316	00215113	00773699	Drum
0317	00238441	00715100	Tub
0318	00265961		Heating element
0319	00265963		Fixing kit
0320	00265964		Sealing
0321	00266752		Cover
0322	00265965		Band
0323	00289822		Support
0324	00354130	11002942	Pulley
0326	00354134		fastening ring
0327	00354135		Boot gasket
0328	00433761	00448032	Shock absorber
0325	00439490		Belt-drive

0301

00141875

00144797

Motor



Position ID	Spare part no.	Replacement	Description
0401	00027780		Filter-water inlet
0402	00084713	00655300	Holder
0403	00142370	00145787	Pump-drain
0404	00168817	00424981	Pressure chamber
0405	00171261	00428210	Valve-magnet
0406	00171262		Hose-valve/soap box
0407	00171263		Ball-sump
0408	00171265	00491919	Hose-pressure chamber
0409	00171267		Holder
0410	00172395	00603523	fastening ring
0411	00172693	00600925	Regulator-water level
0413	00182430		Filter-fluff
0414	00265957		Dispenser tray-upper part
0415	00265958		Hose-fill
0416	00353924	00700836	Hose-inlet
0417	00353925		Hose-inlet
0418	00354122		Dispenser tray-lower part
0419	00354123		Dispenser tray
0423	00421214		Drain hose
0424	00421488		fastening ring
0425	00483993		Eco-hose-sump
0413	00151409		Filter-fluff
0430	00354124		Outlet hose
0431	00150871		Terminal