



Service Information

Washing machine Frontloader

400 488 68 WHM 100 W

8570 276 01800

Last Modification: 07/06/08

Creation Date: 07/06/08

Spare Part List	2
Exploded View	5
Closure Diagram	7
Wiring Diagram	10
Circuit Diagram	11
Program Chart	12
Text legend	17

This document is only intended for qualified technicians who are aware of the respective safety regulations.
Subject to modifications

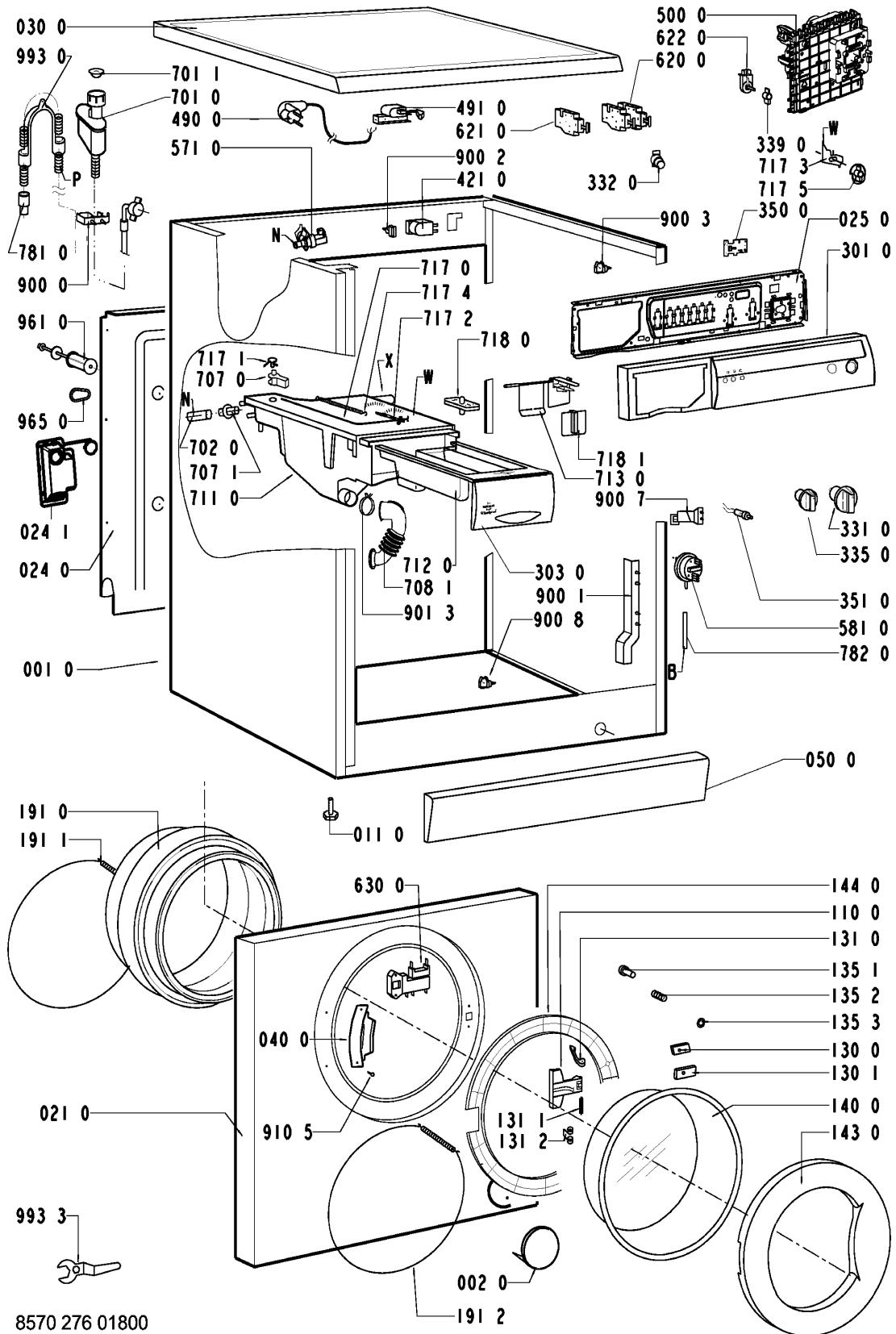
Spare Part List

Pos	12NC	Description
001 0	4819 440 19716	Cabinet
002 0	4812 440 19343	Flap
004 0	4812 440 19583	Drip tray assy WH,BK-STEP1
011 0	4819 462 48472	Foot
021 0	4819 440 19715	Front
024 0	4819 440 19892	Panel rear
024 1	4819 418 79837	Box hose
025 0	4812 440 19346	Holder Control Device
030 0	4819 440 19788	Table top
040 0	4812 417 18787	Hinge BK
050 0	4819 440 19714	Plinth
061 0	4812 466 88458	Counter weight upper
061 1	4812 466 88459	Counter weight front
061 2	4819 310 39227	Mounting kit Weight top
061 3	4819 310 39228	Mounting kit Weight bottom
081 0	4812 529 18038	Shock absorber until 1200
084 0	4812 466 58001	Silent bloc
086 1	4812 401 18413	Holder Shock absorber
086 2	4812 401 18412	Stopper
110 0	4812 498 18139	Handle door white
130 0	4812 417 28047	Plate Door lock
130 1	4812 417 28048	Plate Doorlock Lower; Doorlock Lower
131 0	4812 417 28046	Lock Door
131 1	4812 417 28045	Pin Door Lock
131 2	4812 492 58022	Spring Door Lock
135 1	4812 498 18137	Knob Door safety; Door safety
135 2	4812 491 48004	Spring Door Safety
135 3	4812 290 68153	Holder adjust. Door Safety
140 0	4812 450 68219	Door glass
143 0	4812 440 19342	Glassdoor frame
144 0	4812 440 19589	Frame,door glas DE-WT; DE-WT
191 0	4812 460 68527	Door bellow standard
191 0	4812 460 68532	DOOR BELLOW grease resistance
191 1	4812 492 18017	Strap.
191 2	4819 530 58059	Ring
200 1	4812 418 18296	Tub 42l front
200 2	4819 418 18377	Tub non removable 600/1000
200 4	4812 290 88054	Clamp for tub
220 0	4819 418 18333	Drum
271 0	4812 358 18056	BELT PV 1250 J4 EL
272 0	4812 528 58027	pulley DIAM.298; DIAM.298
272 2	4812 532 18024	Washer
272 3	4812 505 18371	Nut M 12
292 0	4812 530 58101	Gasket Tub
301 0	4812 452 11404	Control panel
303 0	4812 498 78204	Handle drawer
331 0	4812 413 18282	Knob timer
332 0	4812 410 28562	Push button
335 0	4819 412 58742	Knob thermostat
339 0	4812 413 18198	Adapter f. button

Pos	12NC	Description
350 0	4812 239 58015	Module Aquastop "IS"
351 0	4812 134 18011	Lamp
400 0	4819 361 58259	Motor MCA38/64-148 WHE17 - 9699.A3198 WM
409 0	4812 362 48004	Brush,carbon, Motor CESET
421 0	4812 121 18142	Interf.filter 1,00 uF; 1,00 uF.
430 0	4812 310 18458	Pump SERVICE SET
451 0	4812 259 28758	Heating element 2050W + NTC
480 0	4812 321 78109	Cable Motor SC1/OM PP/ALPHA/GA
490 0	4819 321 18136	Cable mains 3X1620mm SA
491 0	4812 321 28367	Strain relief.
500 0	4812 282 19251	Timer SC1 programmed
571 0	4812 271 28375	Valve,magnet Single; Single 331961800
581 0	4812 271 28441	Pressostat
620 0	4819 410 28998	Switch options; SE00201121
621 0	4819 410 29004	Switch ON/OFF Rold SC0A2A10610
622 0	4812 413 48279	Selector,switch Temp./Spin
630 0	4812 280 58019	Door lock
631 0	4812 271 38358	Switch MICRO
631 1	4812 360 58112	Floater Kit BK,WH.
691 0	4812 282 18702	Sensor NTC (SC1,OMEGA; NTC (SC1,OMEGA,AC
701 0	4812 530 28781	HYDRO-SECURITY 4m 90# 10 BAR straight
701 0	4819 530 28926	Hose inlet 2.5 m (Eltek)
701 1	4819 466 69704	Gasket and filter
702 0	4819 530 29019	Hose intern
707 0	4812 526 48031	Nozzle Distribution; Distribution
707 1	4812 526 48028	Nozzle
708 1	4812 530 48143	Bend for DELTA
711 0	4812 418 88025	Dispenser BK,WH-3CH; BK,WH-3CH
712 0	4812 418 88029	Drawer Detergent
713 0	4812 418 88019	Flap Detergent Container
717 0	4819 321 28092	Bowden cable
717 1	4812 321 38013	Lever , Nozzle; Nozzle
717 2	4812 321 38012	Holder adjust.
717 3	4812 278 88018	Slide
717 4	4812 492 38359	Spring , Nozzle
717 5	4812 528 38062	Cam incl. adapter
718 0	4812 526 48027	Siphon 3 - Chamber
718 1	4812 418 88018	Separator 3ch; 3ch
753 1	4819 418 68234	Chamber,air
754 0	4812 530 28826	Drainhose
754 1	4812 530 28832	Lock eco
754 2	4812 530 28829	Flange eco
760 0	4812 480 58105	Filter pump - 6257.66071 (6258.M1525)
781 0	4819 530 28847	Hose,draining
782 0	4812 530 28827	Hose Pressostat
783 1	4812 530 28822	Hose
787 0	4812 530 28813	Steam hose Delta
787 2	4819 401 18868	Clamp,hose 26.8 mm
794 5	4812 530 58095	Gasket Air trap
900 0	4812 255 18204	Holder Hose outlet; Hose outlet

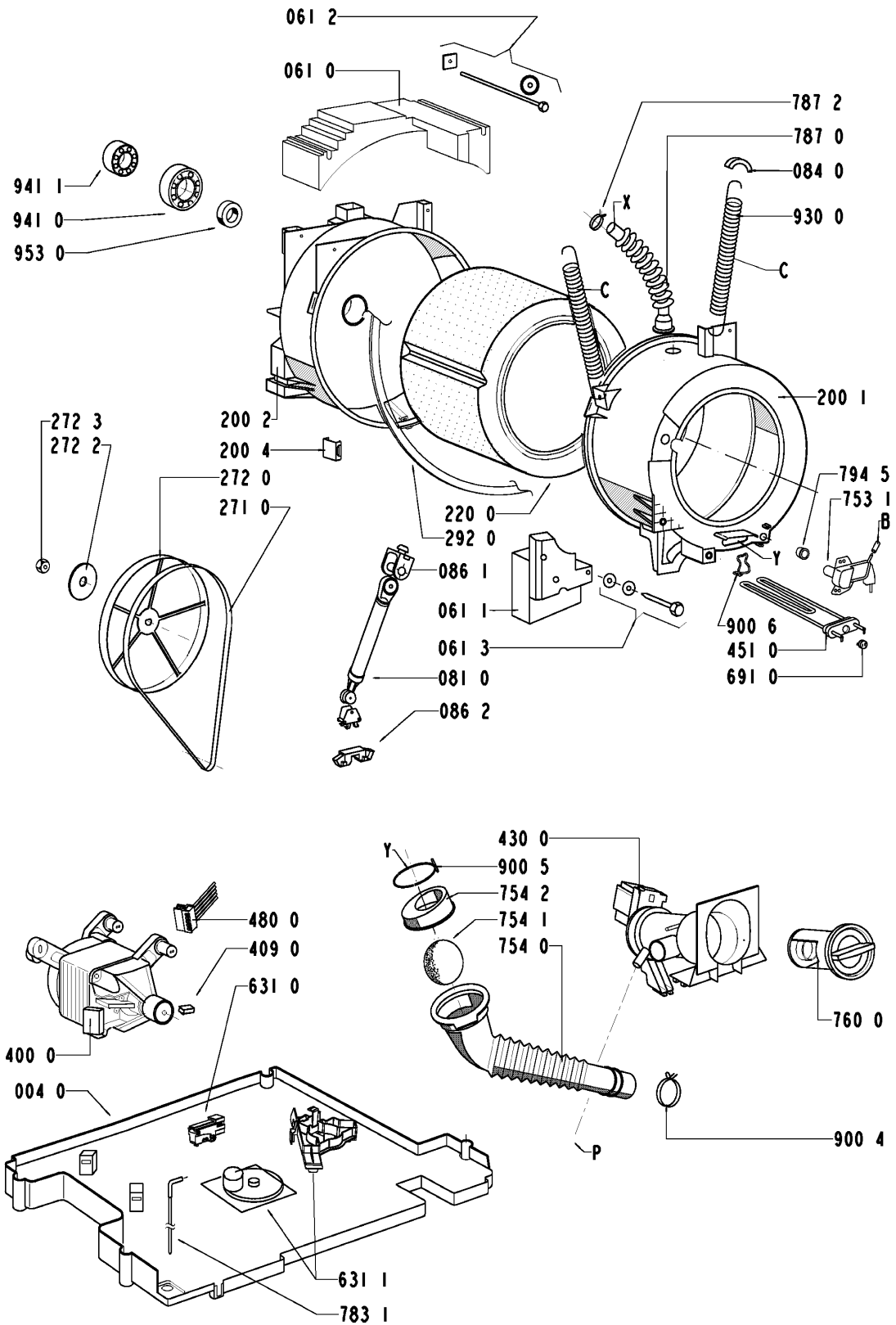
Pos	12NC	Description
900 1	4812 290 88049	Bracket
900 2	4812 290 88077	Cable clamp
900 3	4812 401 18446	Cable clamp
900 4	4819 401 18872	Clamp hose.
900 5	4819 401 18529	Clamp hose
900 6	4812 401 18444	Support Heatingelement; Heatingelement
900 7	4812 255 18205	Holder Pressostat
900 8	4819 401 18823	Clamp
901 3	4812 401 18549	Clamp hose
910 5	4812 502 18516	Screw 4,2 x 13
930 0	4819 492 38139	Spring Suspension
941 0	4812 520 28066	BEARING 6204 2Z C3 GJN
941 1	4812 520 28002	Bearing,ball 6203 2Z C3
953 0	4819 532 78224	Ring
961 0	4819 532 68829	Spacer 44, 50, 58 l
965 0	4812 466 68545	Cover BK/WH
993 0	4819 530 29028	U Curve for outlet hose
993 3	4812 395 58004	Tool

Exploded View



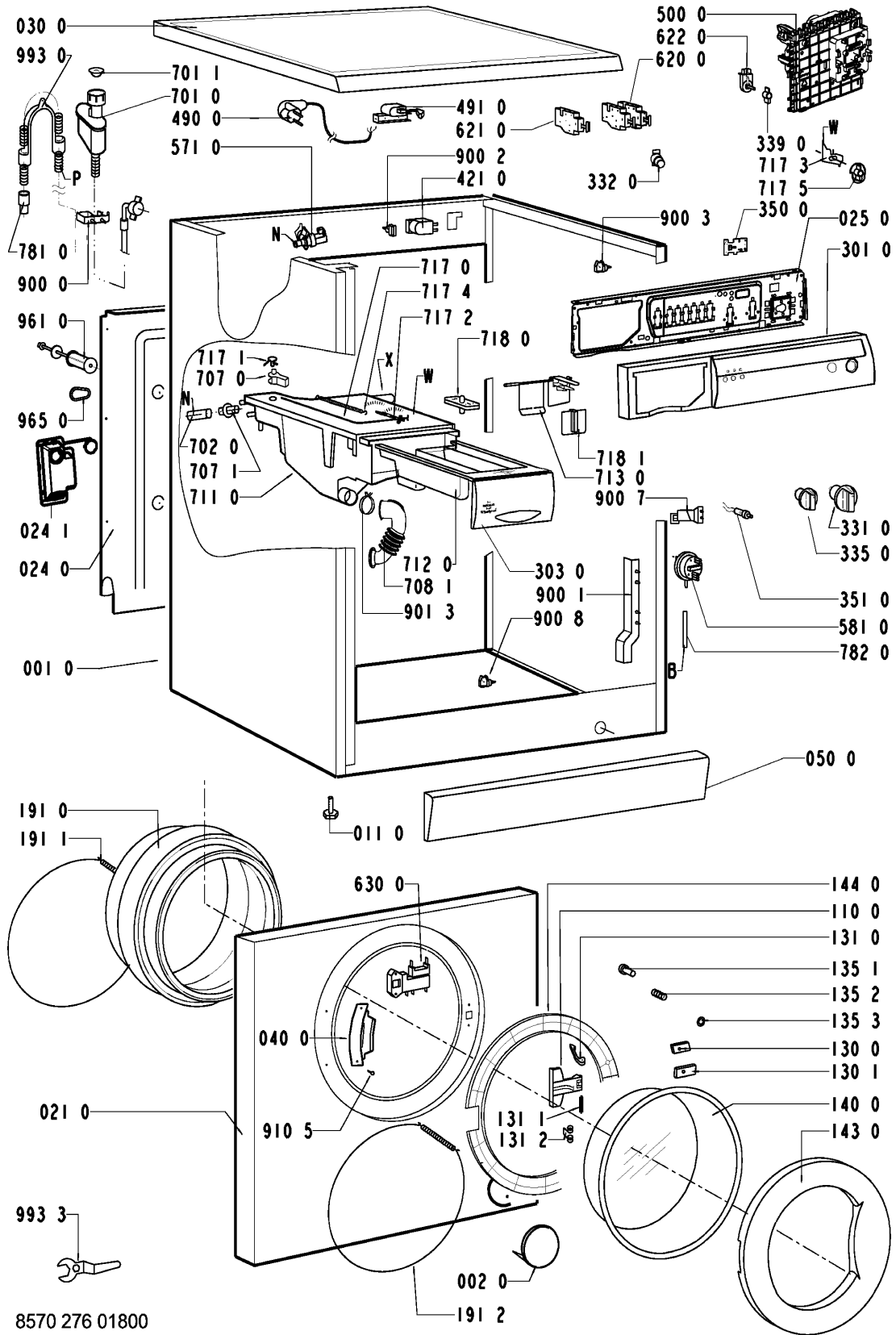
8570 276 01800

Exploded View



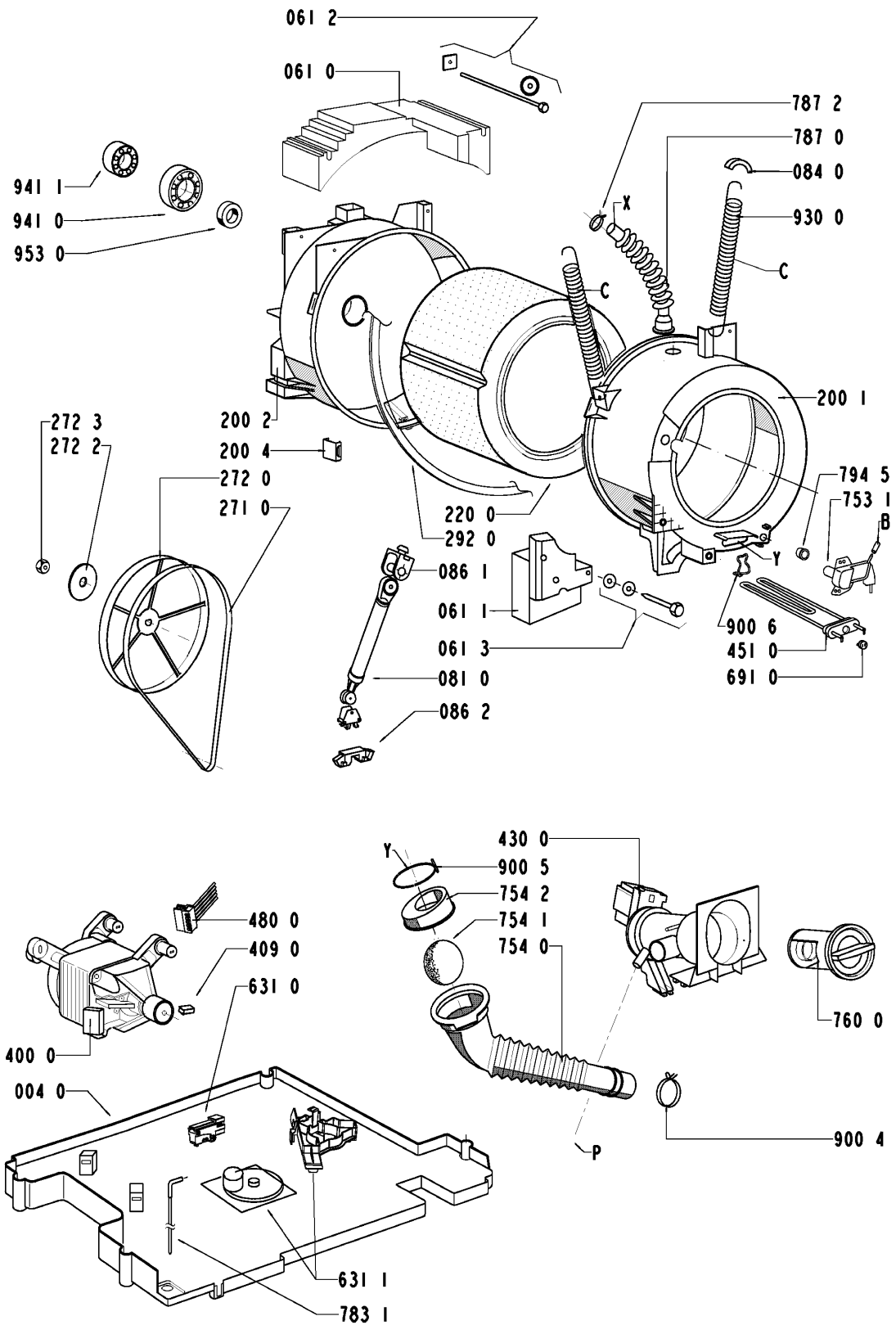
8570 276 01800

Closure Diagram



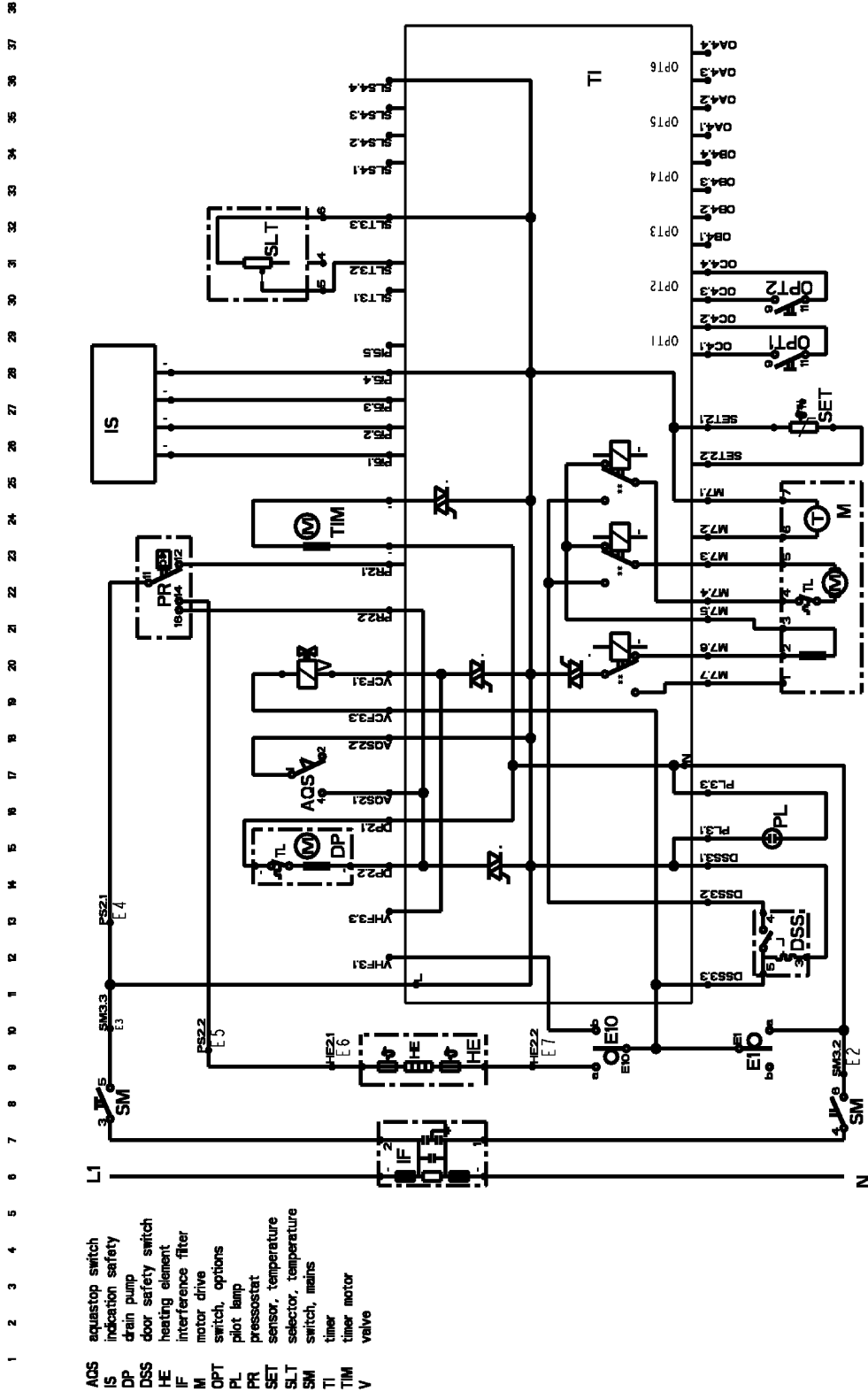
8570 276 01800

Closure Diagram

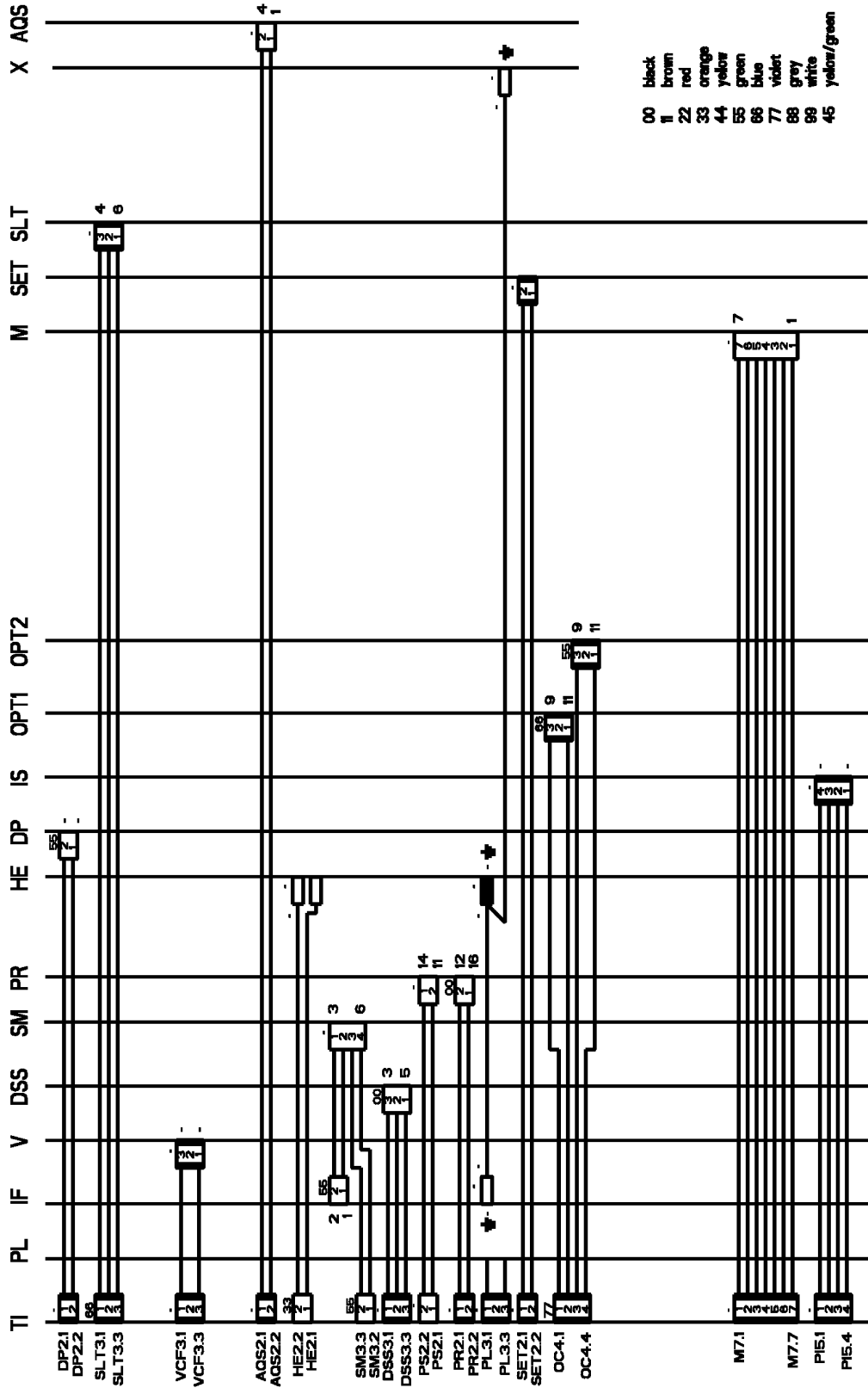


8570 276 01800

Closure Diagram

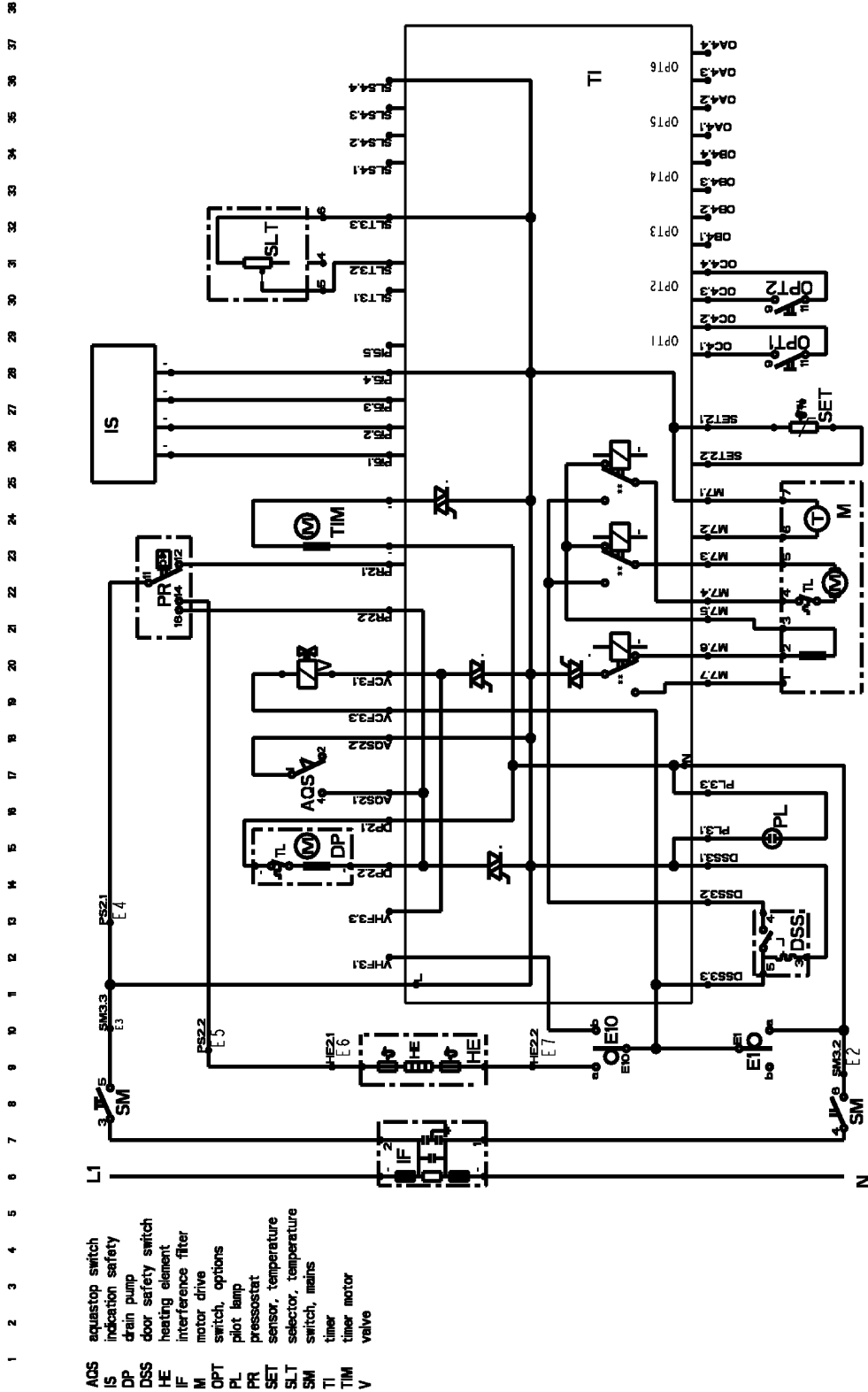


Wiring Diagram



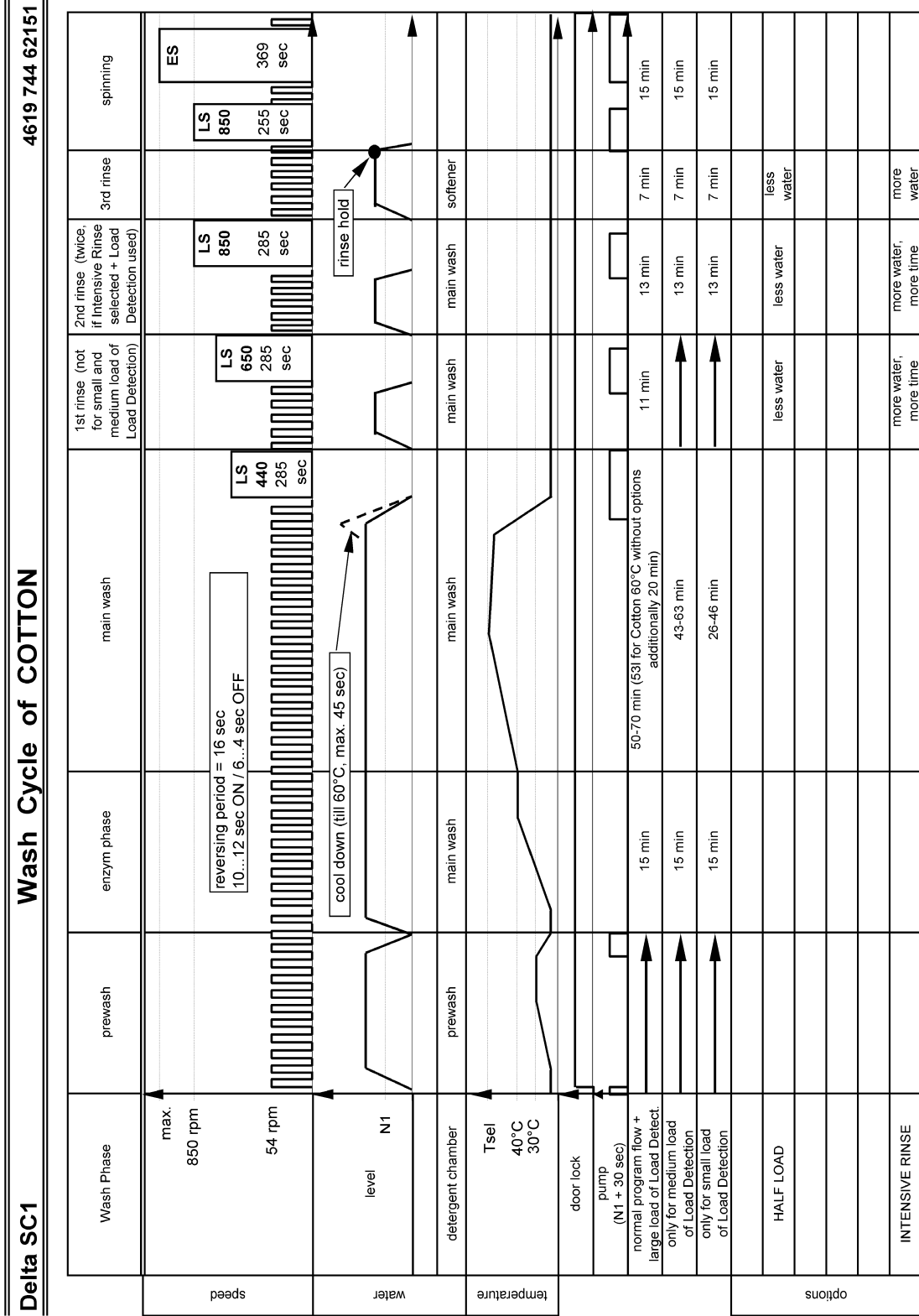
4619 744 43711

Circuit Diagram

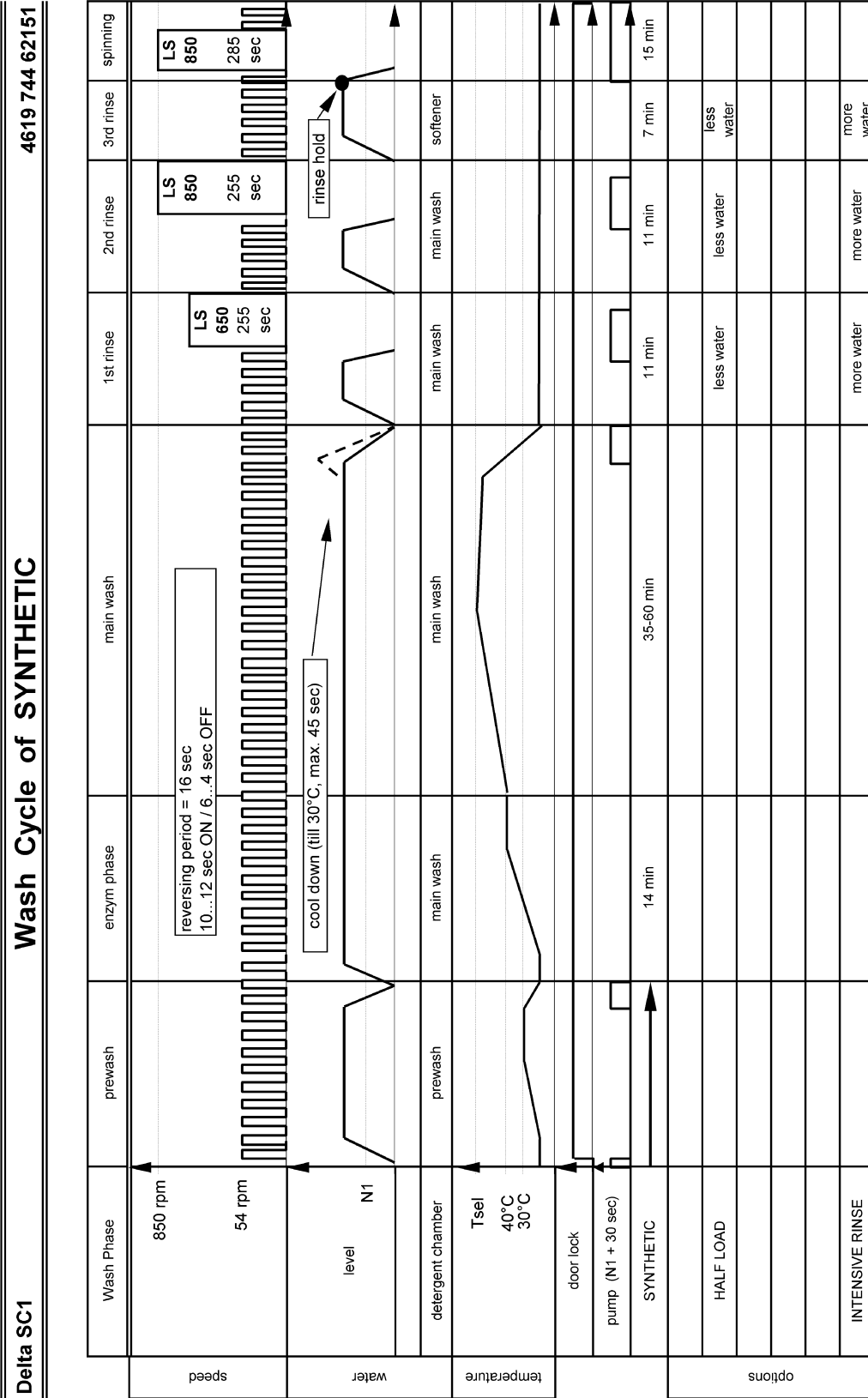


4619 744 43711

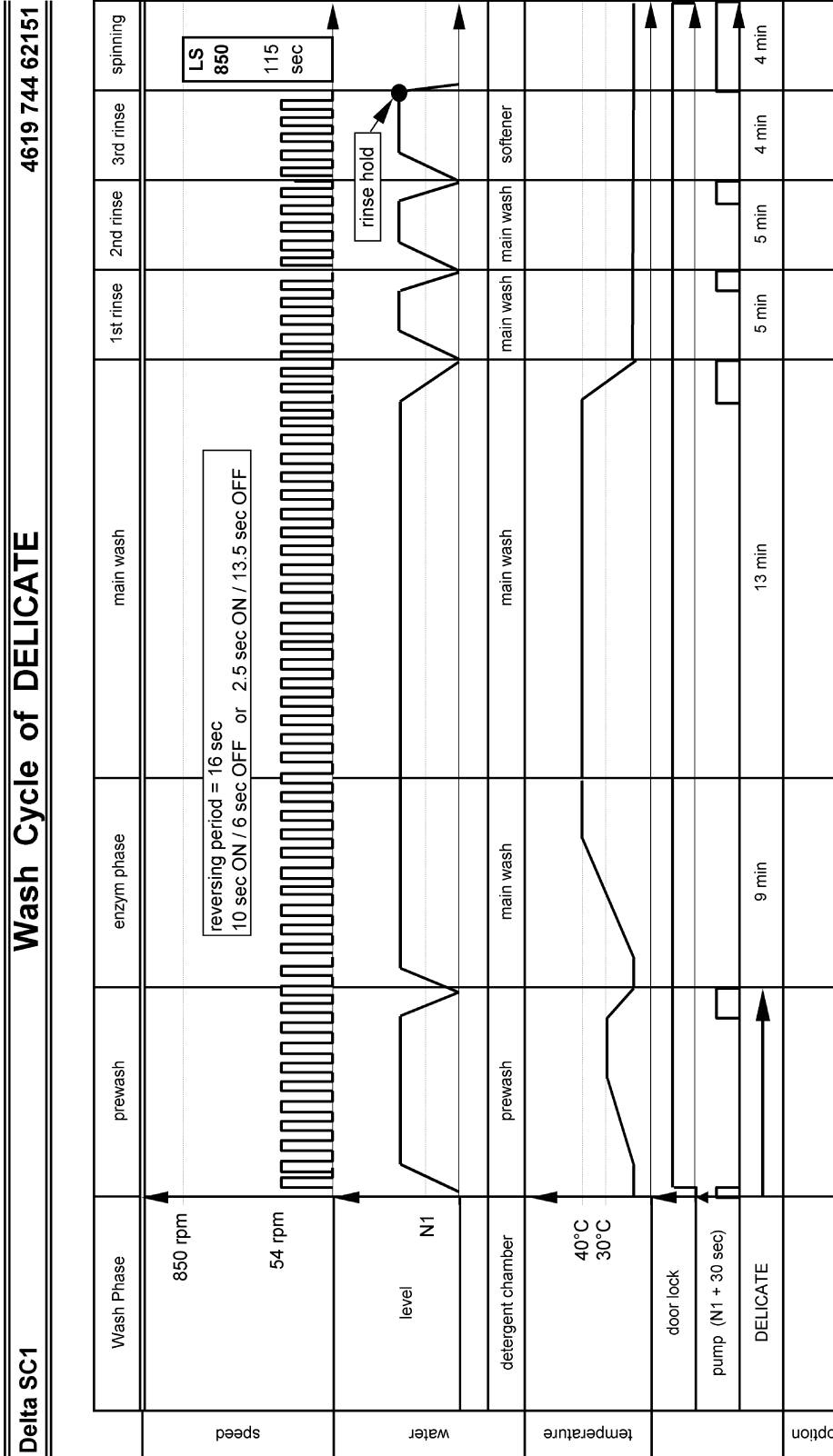
Program Chart



Program Chart



Program Chart

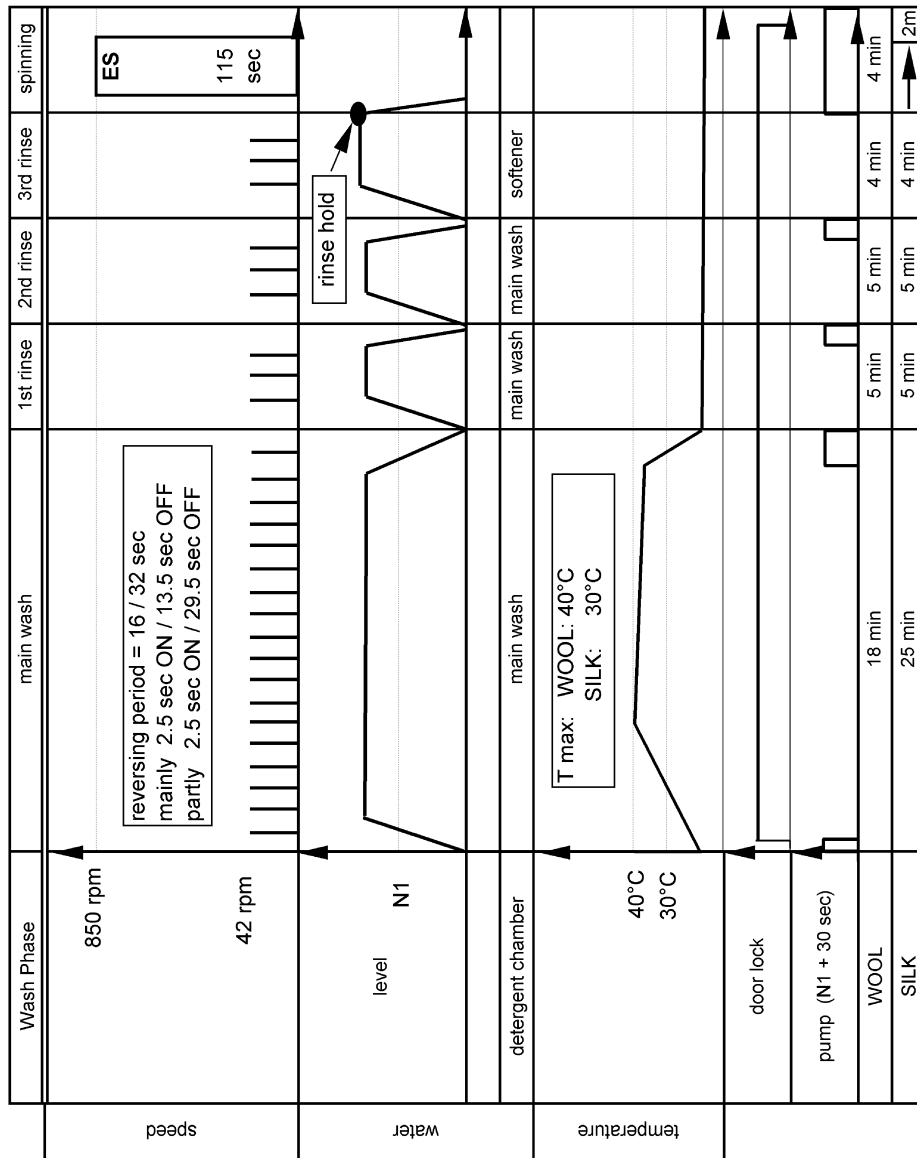


Program Chart

4619 744 62151

Wash Cycles of WOOL and SILK

Delta SC1

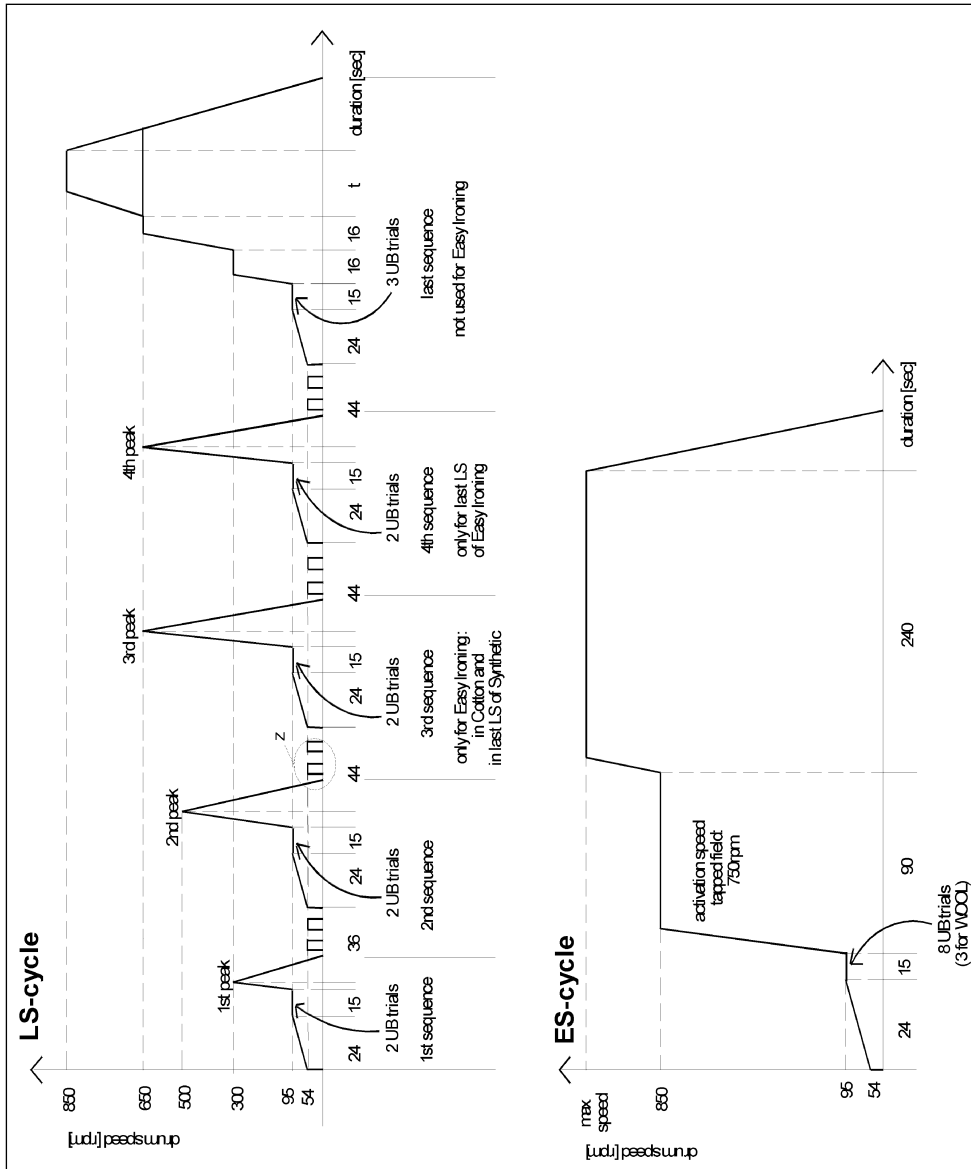


Program Chart

Spinning Profiles

4619 744 62151

Delta SC1



Text legend

TEST PROGRAM FLOW SC1

1. Before start: **Attention! Use Testprogram only without laundry!**
2. Before start: All options must be pushed.
3. Select program: DRAIN
4. Start of test program: push start button,
wait (1-2 sec.), till pump is running,
push 1st option button 4 times (within max. 10 sec.).
(1st option button = at left side of option buttons, 2nd option button = next one, etc.)
5. Stop of test program: - Stop, if timer reaches position 30.
- Stop, turn program knob into off-position.
6. After test program: Move the knob into position off.

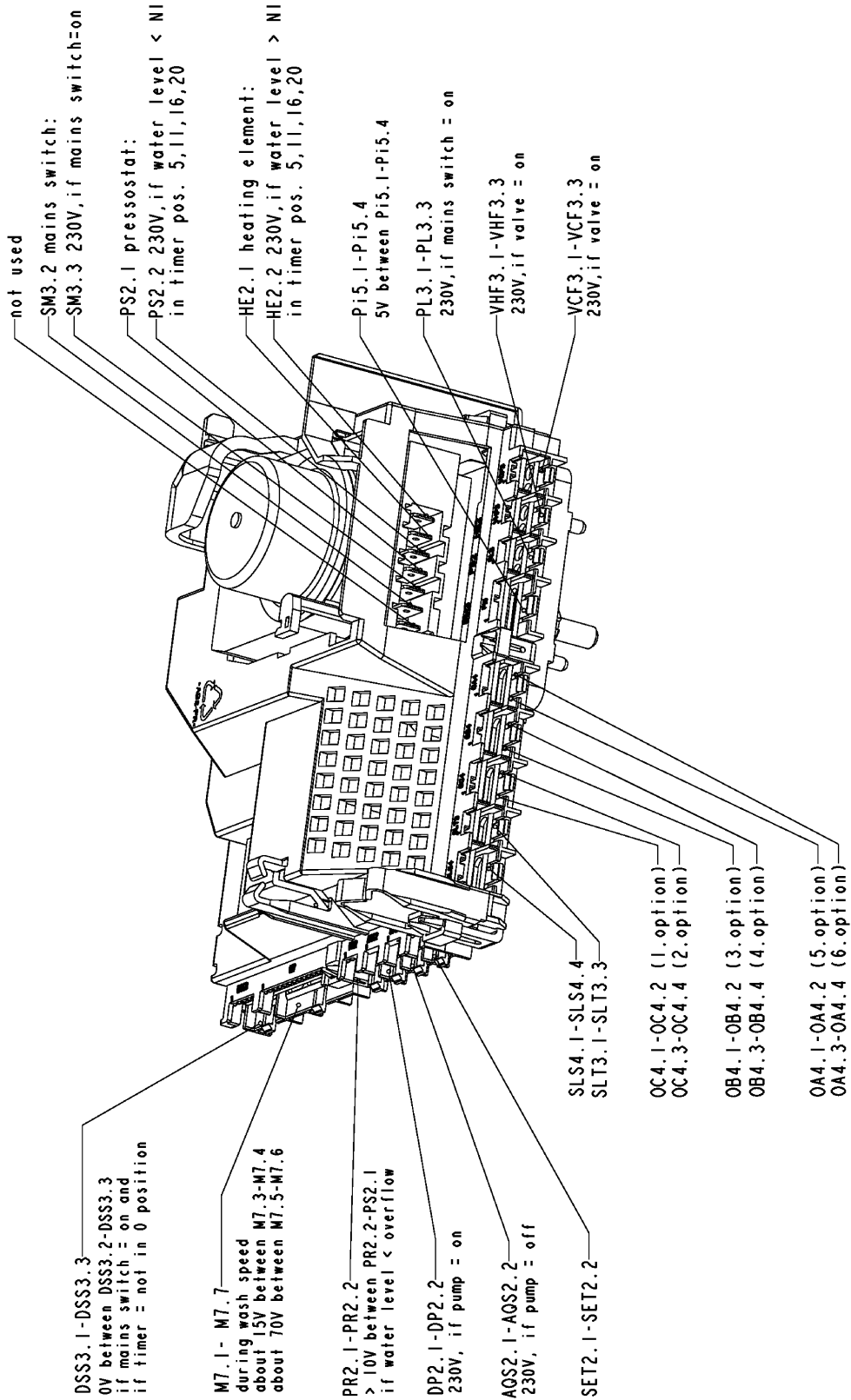
• = program start	timer position	door lock	detergent box	inlet outlet	T max	duration	rhythm drum	Advance by option button	checked
• D	31	locked	-						1 st push button
	3	locked	prewash	(hot) fill	hot fill	60"	nm	release 2 nd option	PW fill, hot fill, 2 nd push button
	4	locked		fill		60"	nm	release 3 rd option	3 rd push button
	5	locked		fill		60"	nm	release 4 th option	4 th push button
	6	locked	mainwash	fill		60"	nm	release 5 th option	5 th push button
	7	locked		fill		60"	nm	release 6 th option	6 th push button
	8	locked		(hot) fill	hot fill	6'	Sg1	push/release an option	mainwash fill, hot fill, N1
	16	locked		fill	90°C	60"	Sg1	push/release an option	
	20	locked		(fill)	90°C	55'	Sg1	push/release an option	heating, NTC, selector, leakage
	23	locked	* bleach	fill		60"	RR	push/release an option	bleach fill
	27	locked	softener	fill		60"	RL	push/release an option	softener fill
	28	locked	-	pump			Sg1		pump, N1
	29	locked		pump		4"	0 - 95 rpm		pump
				pump		300"	sel. speed	push/release an option	motor, selector
	30					-			

- * 4 chamber detergent dispenser „bleach“ compartment
3 chamber detergent dispenser „main wash“ compartment

- Reaction to failure: SC1 goes into safety routine
- drain to level 1+30 sec. (time out for draining = 6 minutes)
 - stop motor (relais in safety position)
 - stop valve
 - go out of heating step, if time out reached

4619 712 52201

Text legend



4619 712 52201