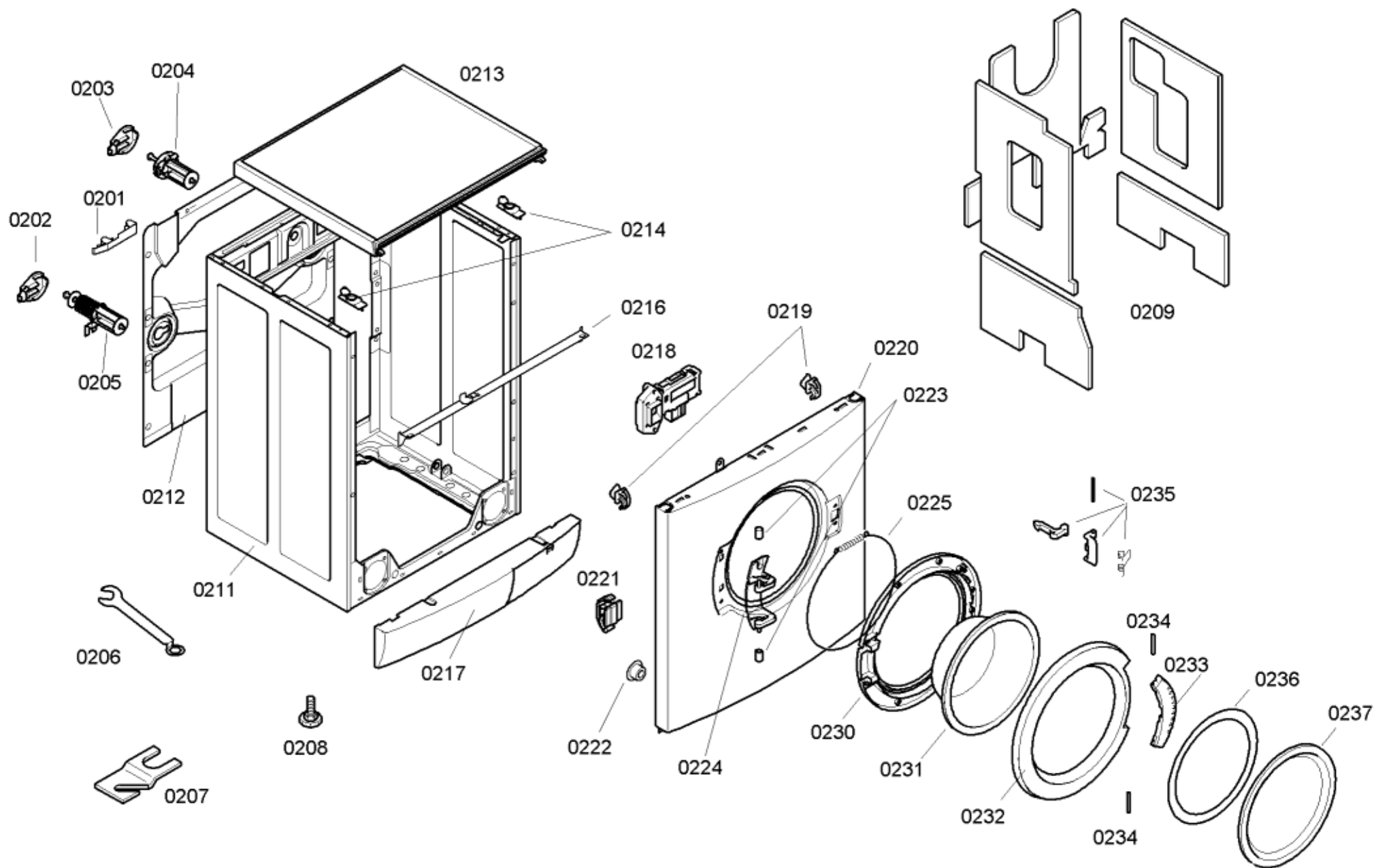
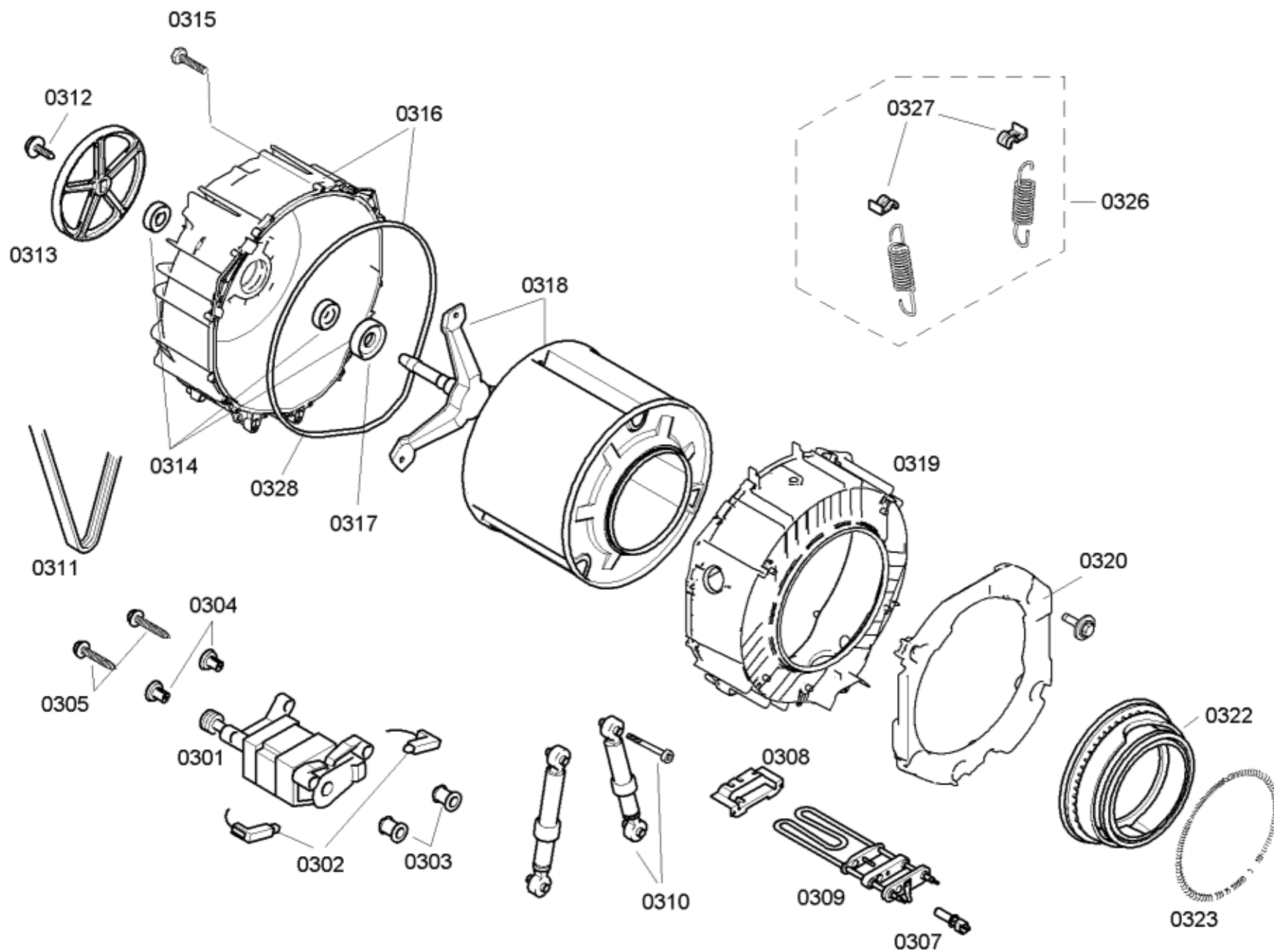


<b>Position ID</b>	<b>Spare part no.</b>	<b>Replacement</b>	<b>Description</b>
0101	00427124	00600111	Cable harness
0102	00423704		Cable harness
0103	00423702		Cable harness
0104	00423815		Cable harness
0105	00423701		Cable harness
0111	00172697		Coupling
0112	00172698		Coupling
0113	00172699		Knob-programme
0114	00172700		Knob-RPM
0125	00442913		Control module
0132	00182429		Nut
0135	00266722	00481580	Power cord
0136	00181928	00623842	Capacitor-interference suppre.

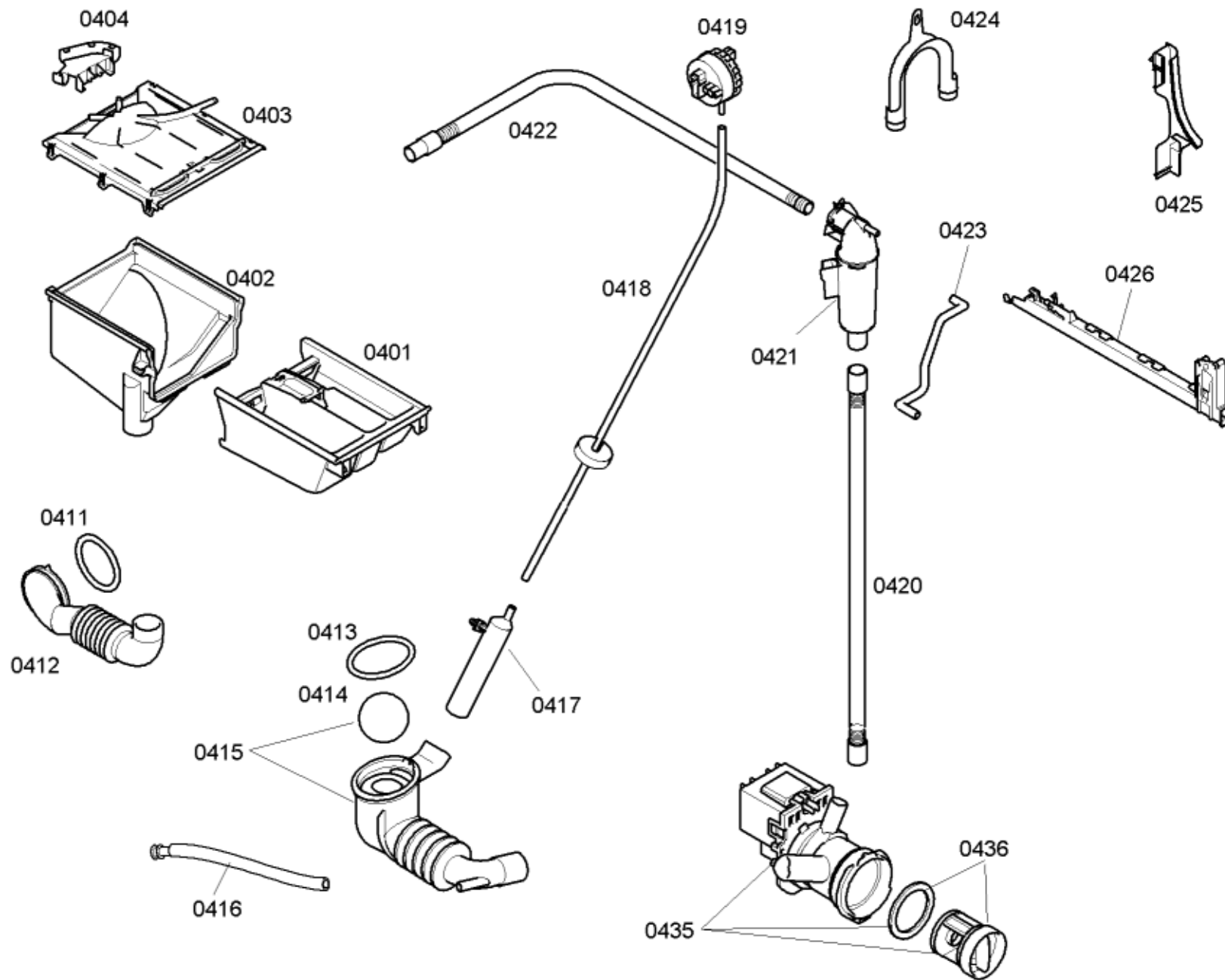


<b>Position ID</b>	<b>Spare part no.</b>	<b>Replacement</b>	<b>Description</b>
0201	00029853		Holder
0202	00419803	00170933	Cover
0203	00181944		Cover
0204	00173226		Transit bolt
0205	00173225		Transit bolt
0206	00416875		Auxiliary tool
0207	00493529		Floor Securing Component
0208	00421290	00040302	Foot
0209	00218722		Insulating plate
0211	00241435	00247508	Housing
0212	00472519	00474870	Case-rear part
0213	00217375		Worktop
0214	00173250		Holder
0216	00435791		Rail
0217	00434552	00796389	Panel-base
0218	00182154		Electric lock
0219	00167587	00067083	Holder
0220	00473955	00235567	Front panel
0221	00187094		Distance holder
0222	00029854	00606923	Holder
0223	00171264		Bushing
0224	00171269		Hinge-window
0225	00439671		fastening ring
0230	00432074		Frame-window
0231	00354128	11020392	Window
0232	00366852		Frame-window
0233	00490903		Handle

0234	00171255		Axis
0235	00173251	00634207	Latch
0236	00355966	00664546	Ring
0237	00355967		Cover
0238	00059227		Cover

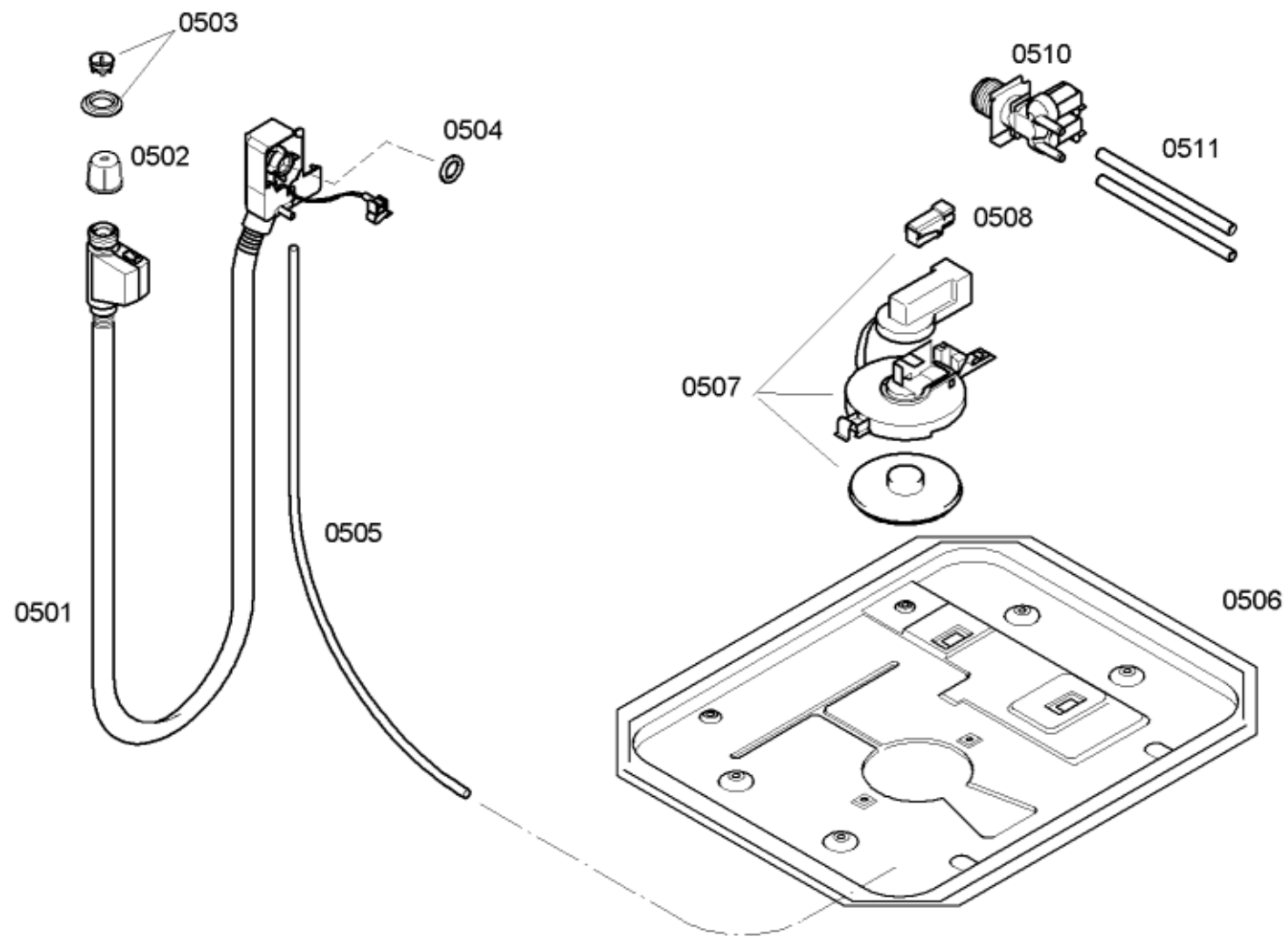


<b>Position ID</b>	<b>Spare part no.</b>	<b>Replacement</b>	<b>Description</b>
0301	00143901	00145080	Motor
0302	00154740		Carbon-brush
0302	00173028		Carbon-brush
0303	00168798		Holder
0304	00171272		Fixture
0305	00171271		Screw
0307	00170961		Sensor-NTC
0308	00416364		Holder
0309	00488124	00649361	Heating element
0310	00433761	00448032	Shock absorber
0311	00369482		Belt-drive
0312	00171270		Screw
0313	00369480		Pulley
0314	00416383	00607420	Bearing set
0315	00416876		Screw-set
0316	00242722	00244709	Tub
0317	00416363	00613084	Shaft seal
0318	00219218	00476158	Drum
0319	00242723		Tub
0320	00219471		Weight
0322	00354135		Boot gasket
0323	00354134		fastening ring
0326	00495646	00642529	Spring-tank
0328	00416886		Sealing
0327	00552829		Part not included in this appliance





<b>Position ID</b>	<b>Spare part no.</b>	<b>Replacement</b>	<b>Description</b>
0401	00354123		Dispenser tray
0402	00354122		Dispenser tray-lower part
0403	00265957		Dispenser tray-upper part
0404	00171267		Holder
0411	00421488		fastening ring
0412	00265958		Hose-fill
0413	00172395	00603523	fastening ring
0414	00171263		Ball-sump
0415	00480436		Eco-hose-sump
0416	00421214		Drain hose
0417	00168817	00424981	Pressure chamber
0418	00171265	00491919	Hose-pressure chamber
0419	00172693	00600925	Regulator-water level
0420	00358305		Hose
0421	00358304		Container return
0422	00358306		Outlet hose
0423	00175789		Hose-vent
0424	00084713	00655300	Holder
0425	00267238		Holder
0426	00362255		Duct
0435	00143995	00145787	Pump-drain
0436	00151409		Filter-fluff
0436	00182430		Filter-fluff



<b>Position ID</b>	<b>Spare part no.</b>	<b>Replacement</b>	<b>Description</b>
0501	00366743	00704767	Aquastop
0501	00366744	11000965	Aquastop
0502	00175887		Filter-large
0503	00154001		Filter-water inlet
0504	00027780		Filter-water inlet
0505	00268336		Hose-overflow
0506	00207804		Case-bottom
0507	00263501	00702594	Float
0508	00057416		Switch
0510	00268281	00428211	Valve-magnet
0511	00171262		Hose-valve/soap box