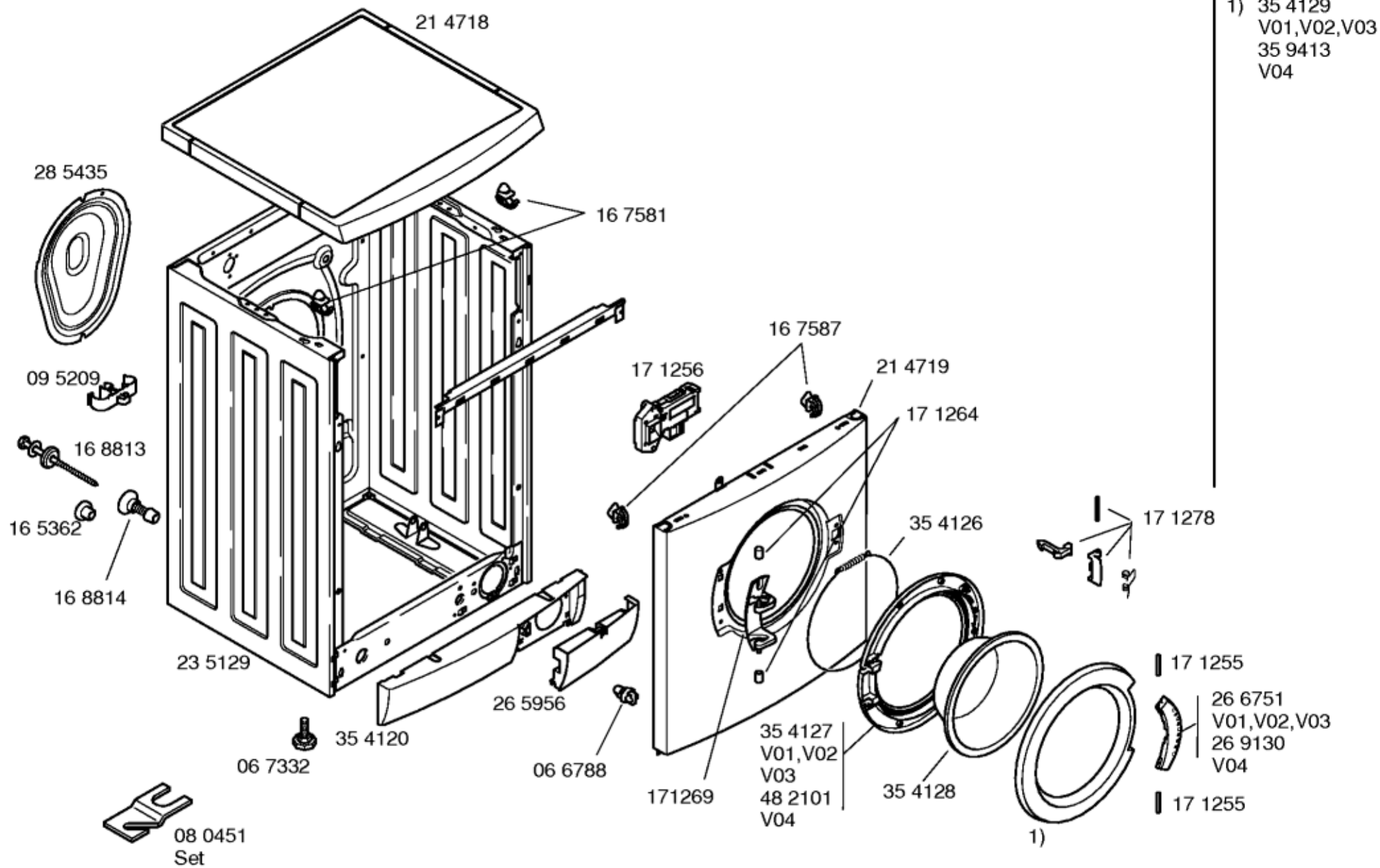
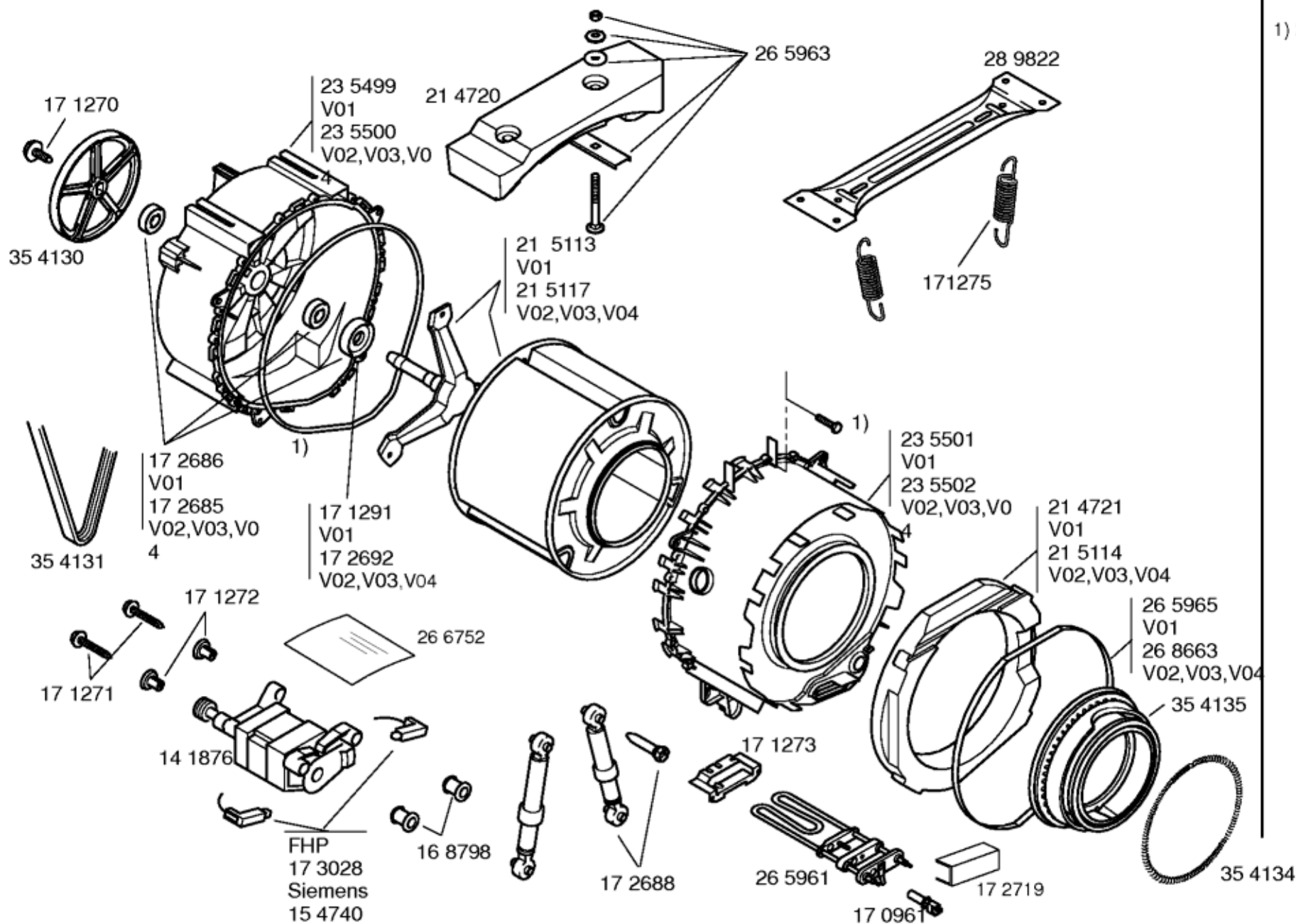


Instrucciones de uso +
 Instrucciones de montaje +
 Tabla de programas
 52 3156
 (es,pt)
 V01
 52 6454
 (es,pt)
 V02, V03
 52 9580
 (es,pt)
 V04

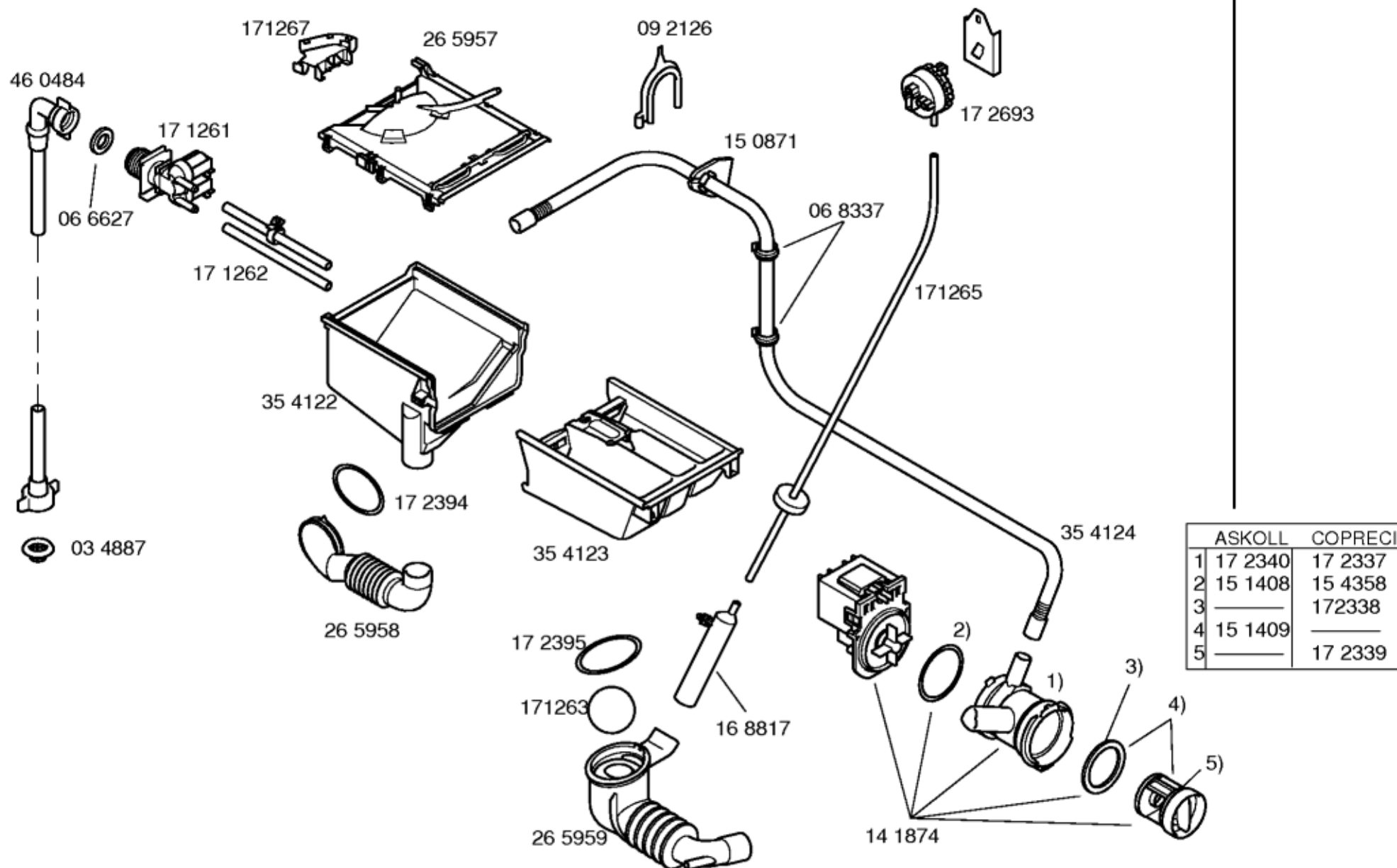
Tapa metalica – VDE
 21 5174

Tapa superior 3 cm.
 21 5337





1) 26 5964



Position ID	Spare part no.	Replacement	Description
0102	00171253	00481580	Power cord
0104	00171254	00623842	Capacitor-interference suppre.
0106	00172694		Cable harness
0106	00172695	00423701	Cable harness
0106	00172696	00423704	Cable harness
0112	00172697		Coupling
0114	00172699		Knob-programme
0119	00266748	00267678	Tray handle-dispenser
0200	00168813		Transit bolt
0202	00168814	00600388	Distance holder
0204	00165362		Cover
0206	00095209		Holder
0208	00285435		Case-rear part
0210	00235129		Housing
0212	00067332	00621463	Foot
0214	00214718	00218343	Worktop
0216	00167581		Holder
0220	00354120	00796389	Panel-base
0222	00265956	00796389	Panel-base
0224	00171256	00182154	Electric lock
0226	00167587	00067083	Holder
0228	00066788		Holder
0230	00214719	00235567	Front panel
0232	00171264		Bushing
0234	00171269		Hinge-window
0236	00354126	00439671	fastening ring
0240	00354128	11020392	Window

0242	00359413	00369605	Frame-window
0244	00269130	00490903	Handle
0246	00171255		Axis
0247	00171278	00634207	Latch
0300	00289822		Support
0302	00171275	00606818	Spring-tank
0304	00265963		Fixing kit
0306	00214720		Weight
0308	00171270		Screw
0310	00354130	11002942	Pulley
0312	00354131	00678914	Belt-drive
0314	00235500		Tub at rear
0315	00172685		Bearing set
0316	00265964		Sealing
0318	00172692	00613083	Shaft seal
0322	00215117		Drum
0324	00235502	00241627	Tub
0326	00215114	00475501	Weight
0328	00268663		Clamp
0330	00354135		Boot gasket
0332	00354134		fastening ring
0334	00171273		Holder
0336	00265961		Heating element
0338	00170961		Sensor-NTC
0340	00172688	00448032	Shock absorber
0342	00171271		Screw
0344	00171272		Fixture
0346	00168798		Holder
0348	00141876	00145563	Motor

0350	00154740		Carbon-brush
0350	00173028		Carbon-brush
0351	00266752		Cover
0352	00172719		Cover
0400	00460484	00700836	Hose-inlet
0402	00066627		Sealing
0404	00034887	00027780	Filter-water inlet
0406	00171261	00428210	Valve-magnet
0407	00171267		Holder
0408	00171262		Hose-valve/soap box
0412	00265957		Dispenser tray-upper part
0414	00354122		Dispenser tray-lower part
0416	00354123		Dispenser tray
0418	00265958		Hose-fill
0420	00265959	00480443	Eco-hose-sump
0422	00171263		Ball-sump
0424	00168817	00424981	Pressure chamber
0428	00171265	00491919	Hose-pressure chamber
0430	00172693	00600925	Regulator-water level
0434	00068337		Holder
0436	00150871		Terminal
0438	00354124		Outlet hose
0440	00141874	00145787	Pump-drain
0442	00154358		Sealing
0442	00151408		Sealing
0444	00172337		Pump-housing
0444	00172340	00145787	Pump-drain
0446	00172338		Sealing
0448	00172339		Filter-fluff

0448	00151409		Filter-fluff
0450	00092126		Holder
0451	00172395	00603523	fastening ring
0452	00172394	00421488	fastening ring