

Thinking of you

 **Electrolux**

User Manual

Washing Machine

EWC 10550 W - EWC 12550 W



We were thinking of you
when we made this product

Welcome to the world of Electrolux

Thank you for choosing a first class product from Electrolux, which hopefully will provide you with lots of pleasure in the future. The Electrolux ambition is to offer a wide variety of quality products that make your life more comfortable. You find some examples on the cover in this manual. Please take a few minutes to study this manual so that you can take advantage of the benefits of your new machine. We promise that it will provide a superior User Experience delivering Ease-of-Mind. Good luck!

Contents

Safety information.....5
Product description7
Control panel.....8
Use.....11
Washing hints16
Washing programmes.....19
Programme information21
Care and cleaning22
What to do if.....25
Technical data29
Consumption values30
Installation31
Environment concerns.....35

The following symbols are used in this manual:



Important information concerning your personal safety and information on how to avoid damaging the appliance.



General information and tips



Environmental information

Safety Information



In the interest of your safety and to ensure the correct use, before installing and first using the appliance, read this user manual carefully, including its hints and warnings. To avoid unnecessary mistakes and accidents, it is important to ensure that all people using the appliance are thoroughly familiar with its operation and safety features. Save these instructions and make sure that they remain with the appliance if it is moved or sold, so that everyone using it through its life will be properly informed on appliance use and safety.

General safety

- It is dangerous to alter the specifications or attempt to modify this product in any way.
- During high temperature wash programmes the door glass may get hot. Do not touch it!
- Make sure that small pets do not climb into the drum. To avoid this, please check into the drum before using.
- Any objects such as coins, safety pins, nails, screws, stones or any other hard, sharp material can cause extensive damage and must not be placed into the machine.
- Only use the advised quantities of fabric softener and detergent. Damage to the fabric can ensue if you over-fill. Refer to the manufacturer's recommendations of quantities.
- Wash small items such as socks, laces, washable belts etc in a washing bag or pillow case as it is possible for such items to slip down between the tub and the inner drum.
- Do not use your washing machine to wash articles with whalebones, material without hems or torn material.
- Always unplug the appliance and turn off the water supply after use, clean and maintenance.
- Under no circumstances should you attempt to repair the machine yourself. Repairs carried out by inexperienced persons may cause injury or serious malfunctioning. Contact your local Service Centre. Always insist on genuine spare parts.

Installation

- This appliance is heavy. Care should be taken when moving it.
- When unpacking the appliance, check that it is not damaged. If in doubt, do not use it and contact the Service Centre.
- All packing and transit bolts must be removed before use. Serious damage can occur to the product and to property if this is not adhered to. See relevant section in the user manual.
- After having installed the appliance, check that it is not standing on the inlet and drain hose and the worktop is not pressing the electrical supply cable.
- If the machine is situated on a carpeted floor, please adjust the feet in order to allow air to circulate freely
- Always be sure, that there is no water leakage from hoses and their connections after the installation.

- If the appliance is installed in a location subject to frost, please read the “**dangers of freezing**” chapter.
- Any plumbing work required to install this appliance should be carried out by a qualified plumber or competent person.
- Any electrical work required to install this appliance should be carried out by a qualified electrician or competent person.

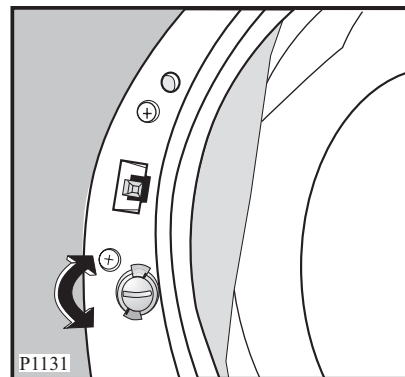
Use

- This appliance is designed for domestic use. It must not be used for purposes other than those for which it was designed.
- Only wash fabrics which are designed to be machine washed. Follow the instructions on each garment label.
- Do not overload the appliance. See the relevant section in the user manual.
- Before washing, ensure that all pockets are empty and buttons and zips are fastened. Avoid washing frayed or torn articles and treat stains such as paint, ink, rust, and grass before washing. Underwired bras must NOT be machine washed.
- Garments which have been in contact with volatile petroleum products should not be machine washed. If volatile cleaning fluids are used, care should be taken to ensure that the fluid is removed from the garment before placing in the machine.
- Never pull the power supply cable to remove the plug from the socket; always take hold of the plug itself.
- Never use the washing machine if the power supply cable, the control

panel, the working surface or the base are damaged so that the inside of the washing machine is accessible.

Child safety

- This appliance is not intended for use by person (including children) with reduced physical sensory or mental capabilities or lack of experience and knowledge unless they have been given supervision or instruction concerning use of the appliance by a person responsible for their safety.
- The packaging components (e.g. plastic film, polystyrene) can be dangerous to children - danger of suffocation! Keep them out of children's reach
- Keep all detergents in a safe place out of children's reach.
- Make sure that children or pets do not climb into the drum. To avoid that they could remain closed inside the drum the machine incorporates special feature. To activate this device, rotate the button (without pressing it) inside the door clockwise until the groove is horizontal. If necessary use a coin.



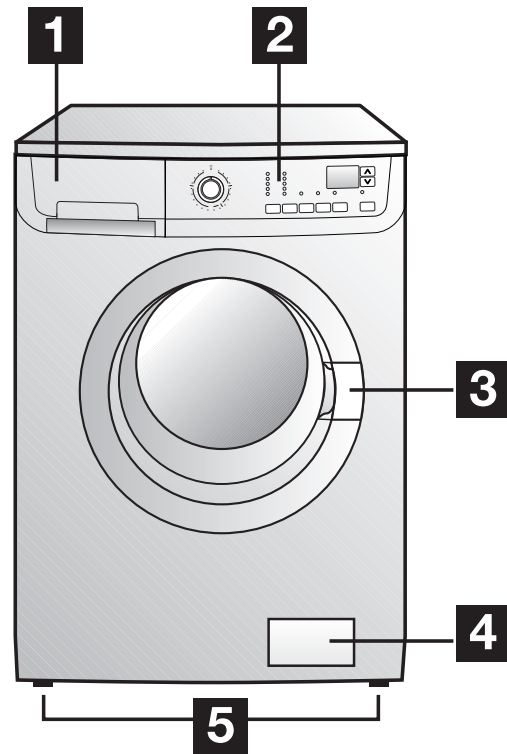
To disable this device and restore the possibility of closing the door, rotate the button anti-clockwise until the groove is vertical.

Product description

Your new appliance meets all modern requirements for effective treatment of laundry with low water, energy and detergent consumption.

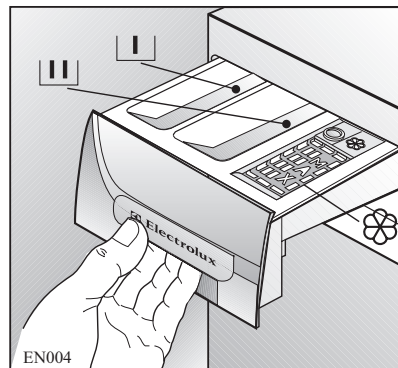
The **ECO valve** system allows total use of detergent and reduces water consumption so saving energy.

- 1** Detergent dispenser drawer
- 2** Control panel
- 3** Door opening handle
- 4** Drain pump
- 5** Adjustable feet

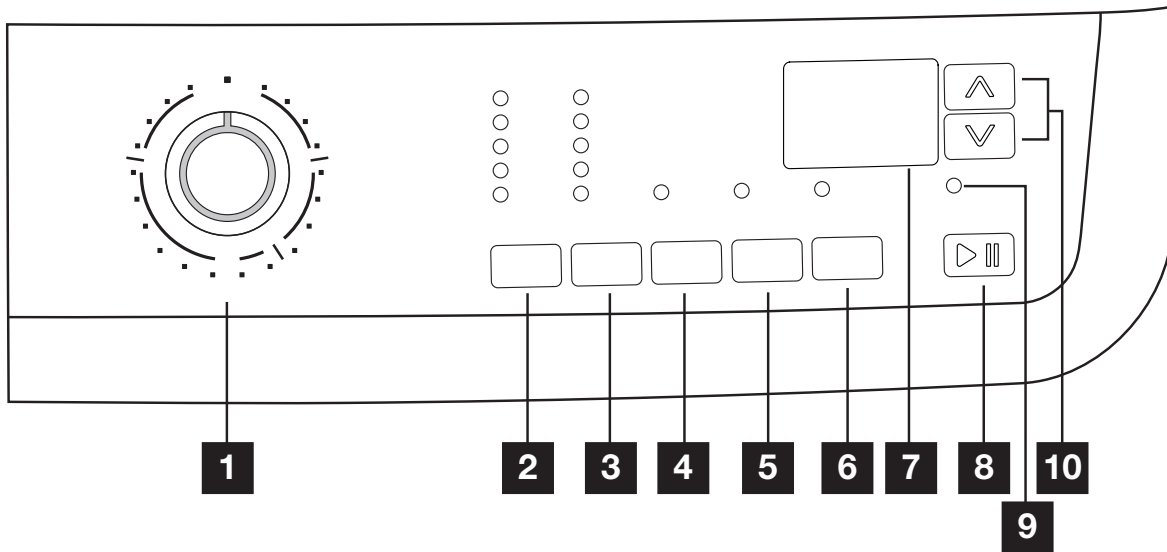


Detergent dispenser drawer

-  Prewash
-  Wash
-  Fabric Softener



Control panel



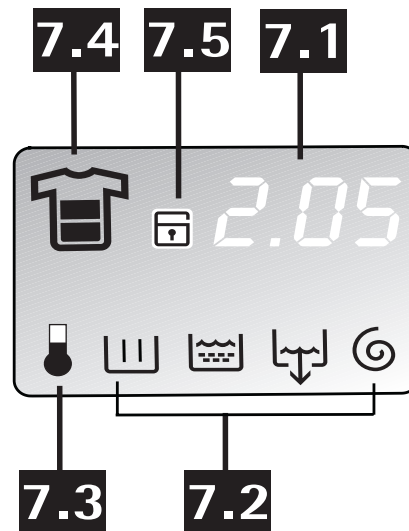
Henceforth, the programme selector dial, the different buttons and the display and the Door locked pilot light will be indicated in all the book with the relevant numbers given in the table below.

- | | |
|----------------------------------|----------------------------------|
| 1 Programme selector dial | 6 Delay Start button |
| 2 Temperature button | 7 Display |
| 3 Spin reduction button | 8 Start/Pause button |
| 4 Prewash button | 9 Door locked pilot light |
| 5 Extra Rinse button | 10 Time Manger buttons |

Symbols

- Cottons , Synthetics , Delicates , Easy iron , Jeans , Spin , Drain , Rinses , Lingerie , Silk , Handwash , Wool , Sport Intensive , Cottons Eco AA , Special programmes 
- Cold , Rinse hold , Prewash , Extra rinse , Delay , Time manager , Door locked , Child safety Lock 

Display (7)



7.1 Duration of selected programme/

After selecting a programme, the duration is displayed in hours and minutes (for example **2.05**). The duration is calculated automatically on the basis of the maximum recommended load for each type of fabric. After the programme has started, the time remaining is updated every minute.

/Delayed start

The selected delay set by pressing the relevant button appears on the display for a few seconds, then the duration of the previously selected programme is displayed.

/Alarm codes

In the event of operating problems, some alarm codes can be displayed, for example **E20** (see chapter «What to do if...»).

/Incorrect option selection

If an option which is not compatible with the set wash programme is selected, the message **Err** is displayed for a few seconds and the integrated **red** light of button **8** starts blinking.

/End of programme

When the programme has finished three blinking zeros **0.00** are displayed, the pilot light **9** and the pilot light of button **8** go out and the door can be opened.

7.2 Washing programme phase icons

By selecting the wash programme, the washing programme phase icons corresponding to the various phases making up the programme are shown in the bottom of the display.

After the machine has started, only the running icon stays on. When the programme has finished, three flashing zero (**0.00**) is displayed.

7.3 Heating phase

During the washing cycle the display shows a temperature icon to indicate that the appliance has started the heating phase of the water in the tub.

7.4 Soil level icons

When selecting a programme on the display appears an icon indicating the degree of soilness automatically proposed by the machine.

7.5 Child lock

This device permits you to leave the appliance unsupervised during it's functioning.

Door locked light (9)

The pilot light **9** illuminates to indicate that the appliance starts operating and the door is locked.


This light indicates if the door can be opened:

- light on: the door cannot be opened.
- light off: the door can be opened.

Use

First Use



- Ensure that the electrical and water connections comply with the installation instructions.
- Remove the polystyrene block and any material from the drum.
- Pour 2 litres of water into the main wash compartment  of the detergent drawer in order to activate the ECO valve. Then run a cotton cycle at 90°C, without any laundry in the machine, to remove any manufacturing residue from the drum and tub. Pour 1/2 a measure of detergent into the dispenser drawer and start the machine.

Acoustic signals

The machine is provided with an acoustic device, which sounds in the following cases:

- at the end of the cycle
- in the event of operating problems

By pressing buttons **4** and **5** simultaneously for about 6 seconds, the acoustic signal is deactivated (except for the events of operating problems).


By pressing these 2 buttons again, the the acoustic signal is reactivated.

Child safety lock

This device permits you to leave the appliance unsupervised and not to worry that children might be injured by or cause damage to the appliance.

This function remains able also when the washing machine is not working. There are two different ways to set this option:

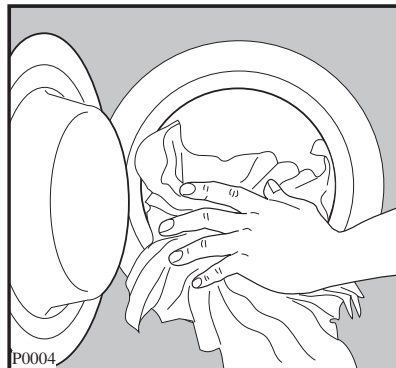
- 1** before pressing button **8**: it will be impossible to start the machine.
- 2** after pressing button **8**: it will be impossible to change any other programme or option.

To enable or disable this option press simultaneously for about 6 seconds buttons **5** and **6** until on the display, the icon  appears or disappears.



Daily Use

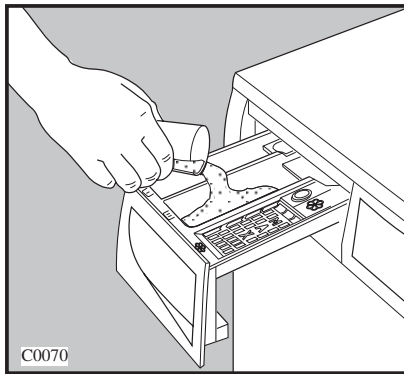
Load the laundry


Open the door by carefully pulling the door handle outwards. Place the laundry in the drum, one item at a time, shaking them out as much as possible. Close the door.

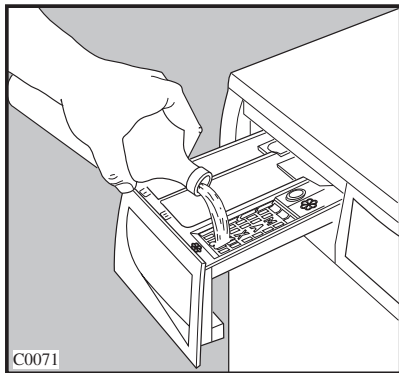


Measure out the detergent and the fabric softener

Pull out the dispenser drawer until it stops. Measure out the amount of detergent required, pour it into the main wash compartment  and, if you wish to carry out the **prewash**, pour it into the compartment marked .





If required, pour fabric softener into the compartment marked  (the amount used must not exceed the "MAX" mark in the drawer). Close the drawer gently.



Select the required programme by turning the programme selector dial (1)

Turn the programme selector dial to the required programme. The Start/Pause light starts to flash and the Display shows the duration of the selected programme.

The selector dial can be turned either clockwise or anticlockwise. Position  corresponds to Reset programme/ Switching OFF the machine.

At the end of the programme the selector dial must be turned to position , to switch the machine off.



Attention!

If you turn the programme selector dial to another programme when the machine is working, the **red** of button **8** will flash 3 times and the message **Err** will appear on the display to indicate a wrong selection. The machine will not perform the new selected programme.

Programme Option buttons

Depending on the programme, different functions can be combined. These must be selected after choosing the desired programme and before pressing the button **8**.

When these buttons are pressed, the corresponding pilot lights come on. When they are pressed again, the pilot lights go out.

Select the temperature by pressing button **2**

Press this button repeatedly to increase or decrease the temperature, if you want your laundry to be washed at a temperature different from the one proposed by the washing machine.

Select the spin speed or Rinse Hold option by pressing button **3**

When selecting a programme, the appliance automatically proposes the maximum spin speed provided for that programme.

Press button **3** repeatedly to change the spin speed, if you want your laundry to be spun at a speed different from the one proposed by the washing machine. The relevant light will light up.

Rinse Hold: by selecting this option the water of the last rinse is not emptied out to prevent the fabrics from creasing. When the programme has finished the display shows **0.00** flashing, the pilot light **9** is on, the light of button **8** is off and the door is locked to indicate that the water must be emptied out.

To empty the water out please read chapter «At the end of the programme».

Select the Prewash option by pressing button 4

Select this option if you wish your laundry to be prewashed at 30°C before the main wash.

The Prewash ends with a short spin in programmes for cotton and synthetic fabrics, whereas in the programmes for delicate fabrics the water is only drained.

Select the Extra Rinse option by pressing button 5

The machine performs some additional rinses. This option is recommended for people who are allergic to detergents, and in areas where the water is very soft.

Select the Delay Start by pressing button 6

Before you start the programme, if you wish to delay the start, press button **6** repeatedly, to select the desired delay. The relevant light will illuminate.

The selected delay time value (up to 20 hours) will appear on the display for a few seconds, then the duration of the programme will appear again.

You must select this option after you have set the programme and before you press button **8**.

If you wish to add laundry in the machine during the delay time you will press button **8** to put the machine in pause. Add the laundry, close the door and press button **8** again.

You can cancel or modify the delay time at any moment, before you press button **8**.

The wash programme can be delayed from 30 min - 60 min - 90 min, 2 hours and then by 1 hour up to a maximum of 20 hours by means of this button.

Selecting the delayed start

- Select the programme and the required options.
- Select the delay start.
- Press button **8**: the machine starts its hourly countdown.

The programme will start after the selected delay has expired.

Cancelling the delayed start

- Press button **8**.
- Press button **6** button once until the symbol **U'** is displayed.
- Press button **8** again.

The Delay Start **can not** be selected with **Drain** programme.

Select the Start/Pause by pressing button 8

To start the selected programme, press button **8**; the green pilot light stops flashing.

To interrupt a programme which is

running, press button **8**: the green pilot light starts to flash.

To restart the programme from the point at which it was interrupted, **press** button **8** again.

If you have chosen a delayed start, the machine will begin the countdown.

If an incorrect option is selected, an integrated **red** pilot light of button **8** flashes for 3 times the message **Err** is displayed for a few seconds.

Select the Time Manager option by pressing buttons 10

This function allows you to modify the washing time, automatically proposed by the washing machine.

By pressing this buttons repeatedly, the duration of the washing cycle can be increased or decreased.

A soil level icon will appear on the display to indicate the chosen degree of soil.

Soil Level	Icon	Type of fabric
Intensive		For heavy soiled items
Normal		For normal soiled items
Daily		For daily soiled items
Light		For slightly soiled items
Quick		For very slightly soiled items
Super Quick (*)		For items used or worn for a short time

(*) We recommend you to reduce the load sizes.



Attention!

This option cannot be selected with the **Economy** cottons programmes.

The availability of these soil level icons change according to the type of fabric as shown in the following chart.

Fabric	Soil Level					
	Intensive	Normal	Daily	Light	Quick	S. Quick
Cottons						
95°/90°C	X	X	X	X	X	X
60°C	X	X	X	X	X	X
40°C	X	X	X	X	X	X
30°C	X	X	X	X	X	X
✕ (cold)	X	X	X	X	X	X
Synthetics						
60°C		X	X	X		X
40°C		X	X	X		X
30°C		X	X	X		X
✕ (cold)		X	X	X		X
Delicates						
40°C		X	X	X		X
30°C		X	X	X		X
✕ (cold)		X	X	X		X

Altering an option or a running programme

It is possible to change some option before the programme carries it out. Before you make any change, you must pause the washing machine by pressing button **8**.

(Only the Time Manager option cannot be modified after the programme has started.)

Changing a running programme is possible **only by resetting it**. Turn the programme selector dial to **0** and then to the new programme position. Start the new programme by pressing button **8** again. The washing water in the tub

will not emptied out.

Interrupting a programme

Press button **8** to interrupt a programme which is running, the corresponding light starts to flash. Press the button again to restart the programme.

Cancelling a programme

Turn the selector dial to **0** to cancel a programme which is running. You can now select a new programme.

Opening the door after the programme has started

First set the machine to pause by pressing button **8**.

If the light **9** goes off, the door can be opened.

If the light **9** does not go off, this means that the machine is already heating, that the water level is above the bottom edge of the door.

In this case the door can not be opened.

If you cannot open the door but you need to open it you have to switch the machine off by turning the selector dial to **0**. After a few minutes the door can be opened (**pay attention to the water level and temperature!**).

After closing the door, it is necessary to select the programme and options again and press button **8**.

At the end of the programme

The machine stops automatically, the pilot light of button **8** goes off and three blinking «**0.00**» will appear on the display.

If a programme with option that ends with water still in the tub has been selected, the pilot light **9** remains lit and the door locked to indicate that the water must be emptied out before opening the door.

To empty out the water:

- turn the programme selector dial to **0**
- select the Drain or the Spin programme
- reduce the spin speed if needed, by pressing the relevant button
- press button **8**

At the end of programme, the pilot lights **9** goes off and the door can be opened.

Turn the programme selector dial to «**0**» to switch the machine off.

Remove the laundry from the drum and carefully check that the drum is empty.

If you do not intend to carry out another wash, close the water tap. Leave the door open to prevent the formation of mildew and unpleasant smells.

Washing hints



Sorting the laundry

Follow the wash code symbols on each garment label and the manufacturer's washing instructions. Sort the laundry as follows: whites, coloureds, synthetics, delicates, woollens.

Temperatures

90° or 95°	for normally soiled white cottons and linen (e.g. tea cloths, towels, tablecloths, sheets...)
60°	for normally soiled, colour fast garments (e.g. shirts, night dresses, pyjamas...) in linen, cotton or synthetic fibres and for lightly soiled white cotton (e.g. underwear).
30°-40°- (cold)	for delicate items (e.g. net curtains), mixed laundry including synthetic fibres and woollens bearing the label «pure new wool, machine washable, non-shrink».

Before loading the laundry

Never wash whites and coloureds together. Whites may lose their "whiteness" in the wash.

New coloured items may run in the first wash; they should therefore be washed separately the first time.

Make sure that no metal objects are left in the laundry (e.g. hair clips, safety pins, pins).

Button up pillowcases, close zip fasteners, hooks and poppers. Tie any belts or long tapes.

Remove persistent stains before washing.

Rub particularly soiled areas with a special detergent or detergent paste. Treat curtains with special care. Remove hooks or tie them up in a bag or net.

Maximum loads

Recommended loads are indicated in the programme charts.

General rules:

Cotton, linen: drum full but not too tightly packed;

Synthetics: drum no more than half full;

Delicate fabrics and woollens: drum no more than one third full.

Washing a maximum load makes the most efficient use of water and energy.

For heavily soiled laundry, reduce the load size.

Laundry weights

The following weights are indicative:

bathrobe	1200 g
napkin	100 g
quilt cover	700 g
sheet	500 g
pillow case	200 g
tablecloth	250 g
towelling towel	200 g
tea cloth	100 g
night dress	200 g
ladies' briefs	100 g
man's work shirt	600 g
man's shirt	200 g
man's pyjamas	500 g
blouse	100 g
men's underpants	100 g

Removing stains

Stubborn stains may not be removed by just water and detergent. It is therefore advisable to treat them prior to washing.

Blood: treat fresh stains with cold water. For dried stains, soak overnight in water with a special detergent then rub in the soap and water.

Oil based paint: moisten with benzine stain remover, lay the garment on a soft cloth and dab the stain; treat several times.

Dried grease stains: moisten with turpentine, lay the garment on a soft surface and dab the stain with the fingertips and a cotton cloth.

Rust: oxalic acid dissolved in hot water or a rust removing product used cold. Be careful with rust stains which are not recent since the cellulose structure will already have been damaged and the fabric tends to hole.

Mould stains: treat with bleach, rinse well (whites and fast coloureds only).

Grass: soap lightly and treat with bleach (whites and fast coloureds only).

Ball point pen and glue: moisten with acetone (*), lay the garment on a soft cloth and dab the stain.

Lipstick: moisten with acetone as above, then treat stains with methylated spirits. Remove any residual marks from white fabrics with bleach.

Red wine: soak in water and detergent, rinse and treat with acetic or citric acid, then rinse. Treat any residual marks with bleach.

Ink: depending on the type of ink, moisten the fabric first with acetone (*), then with acetic acid; treat any residual marks on white fabrics with bleach and then rinse thoroughly.

Tar stains: first treat with stain remover, methylated spirits or benzine, then rub with detergent paste.

(*) do not use acetone on artificial silk.

Detergents and additives

Good washing results also depend on the choice of detergent and use of the correct quantities to avoid waste and protect the environment. Although biodegradable, detergents contain substances which, in large quantities, can upset the delicate balance of nature.

The choice of detergent will depend on the type of fabric (delicates, woollens, cottons, etc.), the colour, washing temperature and degree of soiling.


All commonly available washing machine detergents may be used in this appliance:


- powder detergents for all types of fabric,
- powder detergents for delicate fabrics (60°C max) and woollens,
- liquid detergents, preferably for low temperature wash programmes (60°C max) for all types of fabric, or special for woollens only.

The detergent and any additives must be placed in the appropriate compartments of the dispenser drawer before starting the wash programme.

If using concentrated powder or liquid detergents, a programme **without** prewash must be selected.

The washing machine incorporates a recirculation system which allows an optimal use of the concentrated detergent.

Pour liquid detergent into the dispenser drawer compartment marked  **just before** starting the programme.

Any fabric softener or starching additives must be poured into the compartment marked  before starting the wash programme.

Follow the product manufacturer's recommendations on quantities to use and **do not exceed the «MAX» mark in the detergent dispenser drawer.**

Quantity of detergent to be used

The type and quantity of detergent will depend on the type of fabric, load size, degree of soiling and hardness of the water used.

Water hardness is classified in so-called "degrees" of hardness. Information on hardness of the water in your area can be obtained from the relevant water supply company, or from your local authority.

Follow the product manufacturers' instructions on quantities to use.

Use less detergent if:

- you are washing a small load,
- the laundry is lightly soiled,
- large amounts of foam form during washing.

Degrees of water hardness			
Level	Characteristic	Degrees	
		German °dH	French °T.H.
1	soft	0-7	0-15
2	medium	8-14	16-25
3	hard	15-21	26-37
4	very hard	> 21	> 37

Washing programmes

Programme/ Temperature	Type of laundry	Options	Description of programme
Cottons 90° - Cold	White and coloured cotton	Spin Reduction/ Rinse Hold Prewash, Extra rinse Time manager	Main wash Rinses Long spin at maximum speed. Max. load kg 5 ** Red. load kg 2.5
Synthetics 60° - Cold	Synthetic or mixed fabrics	Spin Reduction/ Rinse Hold Prewash, Extra rinse Time manager	Main wash Rinses Short spin Max. load kg 2 ** Red. load kg 1
Delicates 40° - Cold	Delicate fabrics	Spin Reduction/ Rinse Hold Prewash, Extra rinse Time manager	Main wash Rinses Short spin Max. load kg 2 ** Red. load kg 1
Synthetics Easy Iron 60° - Cold	Synthetic or mixed fabrics to be gentle washed and spun	Spin Reduction/ Rinse Hold Prewash, Extra rinse	Main wash Rinses Short spin Max. load kg 1
Jeans 60° - Cold	Special programme for Jeans items, pants, shirts, jackets.	Spin Reduction/ Rinse Hold Prewash,	Main wash Rinses Long spin at maximum speed Max. load kg 2.5
Lingerie 40° - Cold	Special programme for extremely delicate hand washable items.	Spin Reduction/ Rinse Hold	Main wash Rinses Short spin Max. load kg 1
Silk 30° - Cold	Silk items to be gentle washed and spun.	Spin Reduction/ Rinse Hold	Main wash Rinses Short spin Max. load kg 1



****** If you select the Super Quick option by pressing Time Manager buttons (**10**), we recommend you, to reduce the maximum load as indicated. (Red. load = reduced load). Full loading is possible however with somewhat reduced cleaning results.

Washing programmes

Programme/ Temperature	Type of laundry	Options	Description of programme
Handwash 40° - Cold	Special programme for hand washing fabrics.	Spin Reduction/ Rinse Hold	Main wash Rinses Short spin Max. load kg 1
Wool 40° - Cold	Specially tested programme for wool garments bearing the "Pure new wool, non-shrink, machine washable" label.	Spin Reduction/ Rinse Hold	Main wash Rinses Short spin Max. load kg 1
Sport Intensive 40° - Cold	Heavily soiled sport items	Spin Reduction/ Rinse Hold, Extra Rinse	Prewash, Main wash Rinses Short spin Max. load kg 2.5
Cottons Eco AA 90° - 40°	White and coloured cotton economy , lightly-normally soiled	Spin Reduction/ Rinse Hold Prewash, Extra rinse	Main wash Rinses Long spin at maximum speed. Max. load kg 5
Rinses	Separate rinse cycle for cotton hand washed items.	Spin Reduction/ Rinse Hold Extra rinse	3 rinses Long spin Max. load kg 5
Drain	For emptying out the last rinse water in programmes with the Rinse Hold option		Draining of water
Spin	Separate spin for cottons.	Spin reduction	Drain and long spin at the maximum speed Max. load kg 5
O	For cancelling the wash programme which is running and for switching the machine off.		

Programme information



Wool and Handwash	Washing programme for machine washable wool  as well as for hand washable woollens and delicate fabrics with the “hand washing” care symbol  .
Jeans	With this programme it is possible to wash free time items like pants, shirts or jackets in Jeans and also jersey realized with hi-tech materials.
Silk	Delicate washing programme suitable for silk and mixed synthetics items. Washing temperature is maximum 30°C. The maximum spin speed is automatically reduced.
Cottons Eco AA	This programme can be selected for slightly or normally soiled cotton items. The temperature will decrease and the washing time will be extended. This allows to obtain a good washing efficiency by saving energy.
Rinses	With this programme it is possible to rinse and spin cotton garments which have been washed by hand. The machine performs 3 rinses, followed by a final long spin at maximum speed. The spin speed can be reduced by pressing button 3 .
Drain	For emptying out the water of the last rinse in programmes with the Rinse Hold option. Turn first the programme selector dial to 0 , then select programme DRAIN and press button 8 .
Spin	Separate spin for hand washed garments and after programmes with Rinse Hold option. Before selecting this programme the selector dial must be turned to 0 . You can choose the speed by means of the relevant button to adapt it to the fabrics to be spun.
0 = Cancelling/OFF	To reset a programme and to switch off the machine turn the selector dial to 0 . Can now a new programme be selected.

Care and cleaning



You must DISCONNECT the appliance from the electricity supply, before you can carry out any cleaning or maintenance work.

Descaling

The water we use normally contains lime. It is a good idea to periodically use a water softening powder in the machine. Do this separately from any laundry washing, and according to the softening powder manufacturer's instructions. This will help to prevent the formation of lime deposits.

After each wash

Leave the door open for a while. This helps to prevent mould and stagnant smells forming inside the appliance. Keeping the door open after a wash will also help to preserve the door seal.

Maintenance Wash

With the use of low temperature washes it is possible to get a build up of residues inside the drum. We recommend that a maintenance wash be performed on a regular basis.

To run a maintenance wash:

- The drum should be empty of laundry.
- Select the hottest cotton wash programme.
- Use a normal measure of detergent, must be a powder with biological properties.

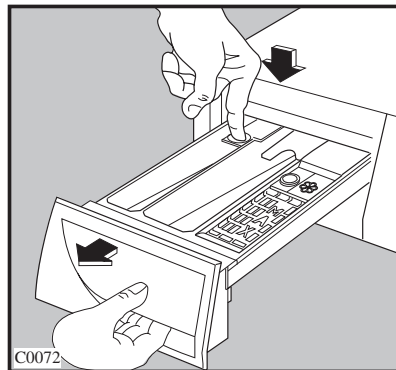
External cleaning

Clean the exterior cabinet of the appliance with soap and water only, and then dry thoroughly.

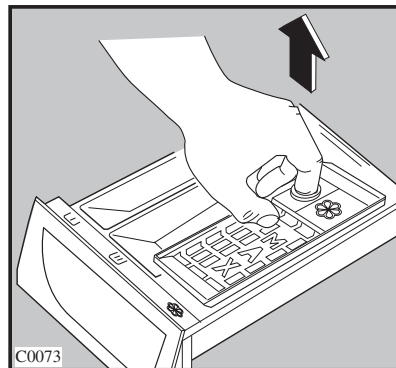
Cleaning the dispenser drawer

The washing powder and additive dispenser drawer should be cleaned regularly.

Remove the drawer by pressing the catch downwards and by pulling it out. Flush it out under a tap, to remove any traces of accumulated powder.



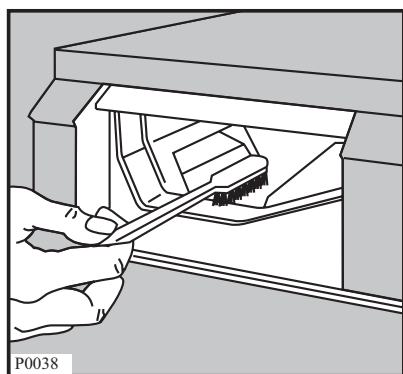
To aid cleaning, the top part of the additive compartment should be removed.



Cleaning the drawer recess

Having removed the drawer, use a small brush to clean the recess, ensuring that all washing powder residue is removed from the upper and lower part of the recess.

Replace the drawer and run the rinse programme without any clothes in the drum.



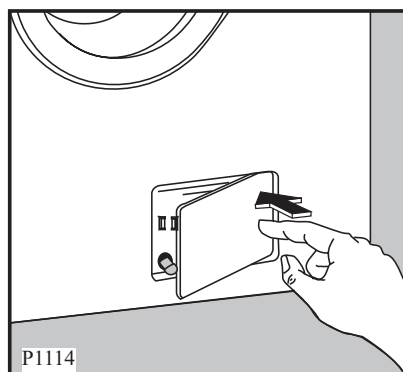
Cleaning the pump

The pump should be inspected if

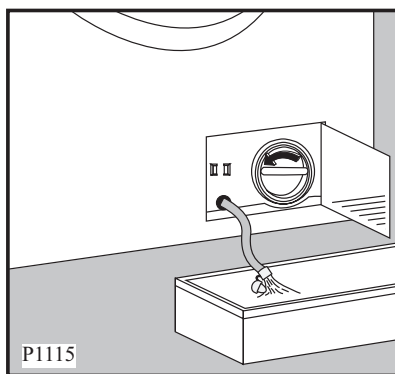
- the machine does not empty and/or spin
- the machine makes an unusual noise during draining due to objects such as safety pins, coins etc. blocking the pump.

Proceed as follows:

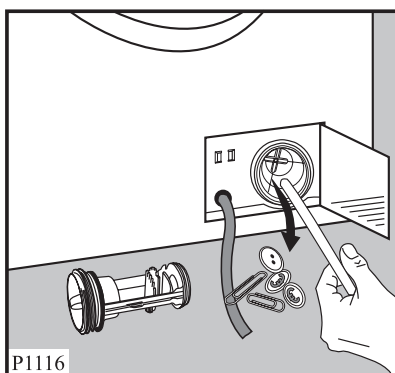
- Disconnect the appliance.
- If necessary wait until the water has cooled down.
- Open the pump door.



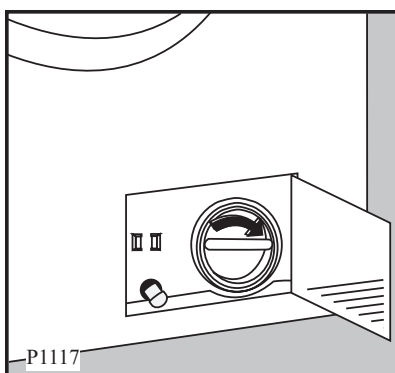
- Place a container close to the pump to collect any spillage.
- Pull out the emergency emptying hose, place it in the container and remove its cap.
- When no more water comes out, unscrew the pump cover and remove it. Always keep a rag nearby to dry up spillage of water when removing the cover.



- Remove any objects from the pump impeller by rotating it.



- Put the cap back on the emergency emptying hose and place the latter back in its seat.



- Screw the pump cover fully in.
- Close the pump door.



Warning!

When the appliance is in use and depending on the programme selected there can be hot water in the pump.

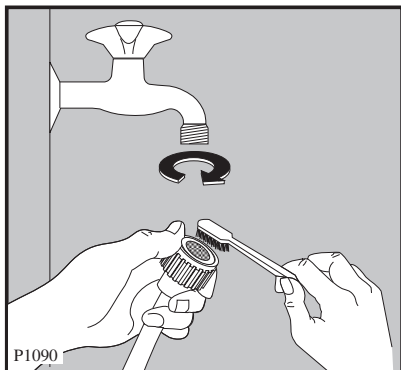
Never remove the pump cover during a wash cycle, always wait until the appliance has finished the cycle, and is empty. When replacing the cover, ensure it is securely retightened so as to stop leaks and young children being able to remove it.

Cleaning the water inlet filter

If your water is very hard or contains traces of lime deposit, the water inlet filter may become clogged.

It is therefore a good idea to clean it from time to time.

Turn off the water tap. Unscrew the water inlet hose. Clean the filter using a hard bristle brush. Tighten up the inlet hose.



The dangers of freezing

If the machine is exposed to temperatures below 0°C, certain precautions should be taken.

- Turn off the water tap.
- Unscrew the inlet hose.
- Place the end of the emergency emptying hose and that of the inlet hose in a bowl placed on the floor and let water drain out.
- Screw the water inlet hose back on and reposition the emergency emptying hose after having put the cap on again.

- When you intend to start the machine up again, make sure that the room temperature is above 0°C.



Important!

Every time you drain the water through the emergency emptying hose you must pour 2 litres of water into the main wash compartment of the detergent drawer and then run the drain programme. This will activate the ECO VALVE device avoiding that part of the detergent remains unused at next washing.

Emergency emptying out

If the water is not discharged, proceed as follows to empty out the machine:

- pull out the plug from the power socket;
- close the water tap;
- if necessary, wait until the water has cooled down;
- open the pump door;
- place a bowl on the floor and place the end of the emergency emptying hose into the bowl. Remove its cap. The water should drain by gravity into the bowl. When the bowl is full, put the cap back on the hose. Empty the bowl. Repeat the procedure until water stops flowing out;
- clean the pump if necessary as previously described;
- replace the emergency emptying hose in its seat after having plugged it;
- screw the pump cover again and close the door.

What to do if...

Certain problems are due to lack of simple maintenance or oversights, which can be solved easily without calling out an engineer. Before contacting your local Service Centre, please carry out the checks listed below.

During machine operation it is possible that the **red** light of button **8** blinks, at the same some acoustic signals sound and one of the following alarm codes appears on the display to indicate that the machine is not working:

- **E10**: problem with the water supply
- **E20**: problem with water draining
- **E40**: door open.

Once the problem has been eliminated, press button **8** to restart the programme. If after all checks, the problem persists, contact your local Service Centre.

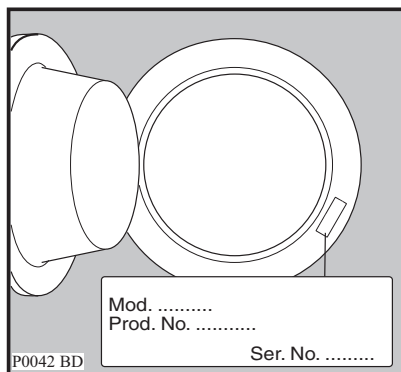
Malfunction	Possible cause	Solution
The washing machine does not start:	<ul style="list-style-type: none"> ● The door has not been closed. <i>E40</i>. ● The plug is not properly inserted in the power socket. ● There is no power at the socket. ● The main fuse or the fuse in the plug has blown. ● The selector dial is not correctly positioned and button 8 has not been pressed. ● The delay start has been selected. ● The Child Safety Lock has been activated. 	<ul style="list-style-type: none"> ● Close firmly the door. ● Insert the plug into the power socket. ● Please check your domestic electrical installation. ● Replace the fuse. ● Please turn the selector dial and press button 8 again. ● If the laundry are to be washed immediately, cancel the delay start. ● Deactivate The Child Safety Lock.
The machine does not fill:	<ul style="list-style-type: none"> ● The water tap is closed. <i>E10</i> ● The inlet hose is squashed or kinked. <i>E10</i> ● The filter in the inlet hose is blocked. <i>E10</i> ● The door is not properly closed. <i>E40</i> 	<ul style="list-style-type: none"> ● Open the water tap. ● Check the inlet hose connection. ● Clean the water inlet hose filter. ● Close firmly the door.

Malfunction	Possible cause	Solution
The machine fills then empties immediately:	<ul style="list-style-type: none"> • The end of the drain hose is too low. 	<ul style="list-style-type: none"> • Refer to relevant paragraph in “water drainage” section.
The machine does not empty and/or does not spin:	<ul style="list-style-type: none"> • The drain hose is squashed or kinked. <i>E20</i> • The drain pump is clogged. <i>E20</i> • The Rinse Hold option has been selected. • The laundry is not evenly distributed in the drum. 	<ul style="list-style-type: none"> • Check the drain hose connection. • Clean the drain pump. • Select the Drain or Spin programme. • Redistribute the laundry.
There is water on the floor:	<ul style="list-style-type: none"> • Too much detergent or unsuitable detergent (creates too much foam) has been used. • Check whether there are any leaks from one of the inlet hose fittings. It is not always easy to see this as the water runs down the hose; check to see if it is damp. • The drain hose is damaged. • The cap on the emergency emptying hose has not been replaced after cleaning the pump. 	<ul style="list-style-type: none"> • Reduce the detergent quantity or use another one. • Check the water inlet hose connection. • Change it with a new one. • Put the cap back on the emergency emptying hose and place the latter back in its seat.
Unsatisfactory washing results:	<ul style="list-style-type: none"> • Too little detergent or unsuitable detergent has been used. • Stubborn stains have not been treated prior to washing. • The correct temperature was not selected. • Excessive laundry load. 	<ul style="list-style-type: none"> • Increase the detergent quantity or use another one. • Use commercial products to treat the stubborn stains. • Check if you have selected the correct temperature. • Introduce into the drum less laundry.

Malfunction	Possible cause	Solution
<p>The door will not open:</p>	<ul style="list-style-type: none"> ● The programme is still running. ● The door lock has not been released. ● There is water in the drum. 	<ul style="list-style-type: none"> ● Wait the end of washing cycle. ● Wait for the pilot light 9 disappearing. ● Select drain or spin programme to empty out the water.
<p>The machine vibrates or is noisy:</p>	<ul style="list-style-type: none"> ● The transit bolts and packing have not been removed. ● The support feet have not been adjusted. ● The laundry is not evenly distributed in the drum. ● Maybe there is very little laundry in the drum. 	<ul style="list-style-type: none"> ● Check the correct installation of the appliance. ● Check the correct levelling of the appliance. ● Redistribute the laundry. ● Load more laundry.
<p>Spinning starts late or the machine does not spin:</p>	<ul style="list-style-type: none"> ● The electronic unbalance detection device has cut in because the laundry is not evenly distributed in the drum. The laundry is redistributed by reverse rotation of the drum. This may happen several times before the unbalance disappears and normal spinning can resume. If, after 10 minutes, the laundry is still not evenly distributed in the drum, the machine will not spin. In this case, redistribute the load manually and select the spin programme. 	<ul style="list-style-type: none"> ● Redistribute the laundry.

Malfunction	Possible cause	Solution
The machine makes an unusual noise	<ul style="list-style-type: none"> The machine is fitted with a type of motor which makes an unusual noise compared with other traditional motors. This new motor ensures a softer start and more even distribution of the laundry in the drum when spinning, as well as increased stability of the machine. 	
No water is visible in the drum	<ul style="list-style-type: none"> Machines based on modern technology operate very economically using very little water without affecting performance. 	

If you are unable to identify or solve the problem, contact our service centre. Before telephoning, make a note of the model, serial number and purchase date of your machine: the Service Centre will require this information.



Technical data

Dimensions	Width	60 cm
	Height	85 cm
	Depth	54 cm
Electrical connection Voltage - Overall power - Fuse	Information on the electrical connection is given on the rating plate on the inner edge of the appliance door	
Water supply pressure	Minimum	0,05 MPa
	Maximum	0,8 MPa
Maximum Load	Cotton	5 kg
Spin Speed	Maximum	1000 rpm (EWC 10550 W) 1200 rpm (EWC 12550 W)



Consumption values			
Programme	Water consumption (in litres)	Energy consumption (in kWh)	Programme duration (in hours & mins)
Cottons 90°	58	1.9	For the duration of the programmes, please refer to the display on the control panel.
Cottons 60°	54	1.2	
Cottons Eco 60° (*)	49	0.85	
Synthetics 60°	45	0.75	
Delicates 40°	57	0.5	
Wool 40°	53	0.4	
Handwash 40°	53	0.4	



The consumption data shown on this chart is to be considered purely indicative, as it may vary depending on the quantity and type of laundry, on the inlet water temperature and on the ambient temperature. It refers to the highest temperature for each wash programme.



- (*) The programme «Cottons Economy» at 60°C is the reference programme for the data entered in the energy label, in compliance with EEC 92/75 standards.

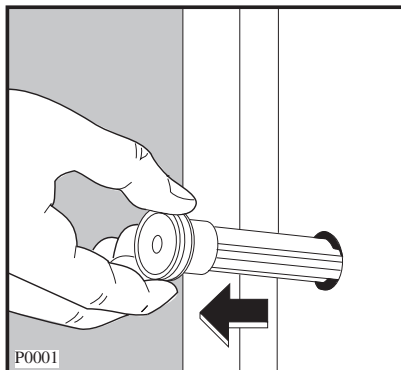
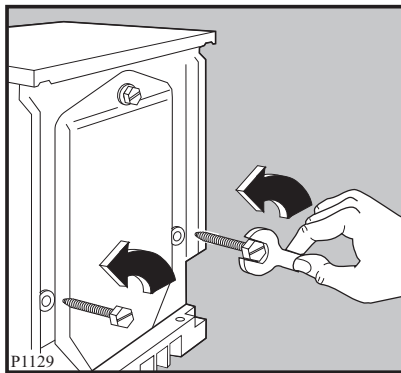
Installation

Unpacking



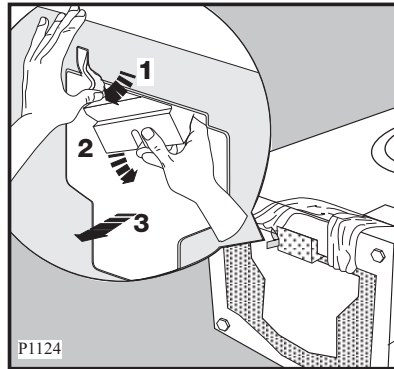
All transit bolts and packing must be removed before using the appliance. You are advised to keep all transit devices so that they can be refitted if the machine ever has to be transported again.

1. Using a spanner, unscrew and remove the two rear bottom screws. Slide out the two plastic pins.

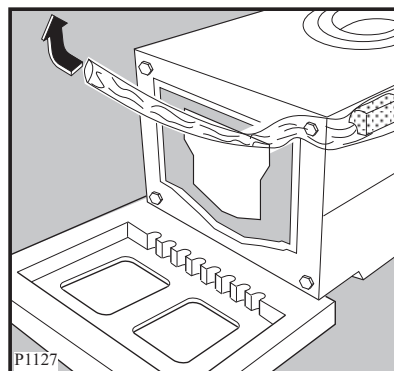
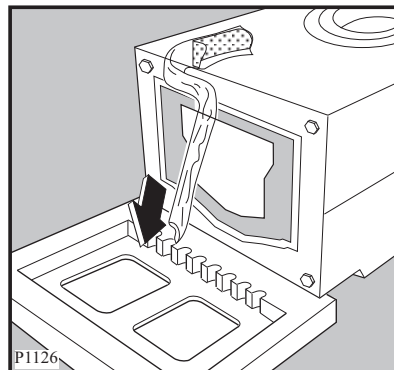


2. Lay the machine on its back, taking care not to squash the hoses. This can be avoided by placing one of the corner packing pieces between the machine and the floor.
3. Remove the polystyrene block from the bottom of the machine. Unscrew and remove the four feet.

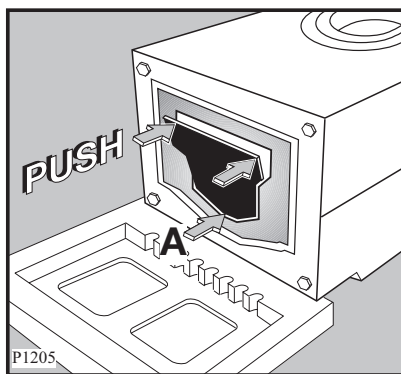
Release the two plastic bags.



4. Very carefully slide out the left polythene bag, removing it towards the right and then downwards.
5. Very carefully slide out the right polythene bag, removing it towards the left and then upwards.



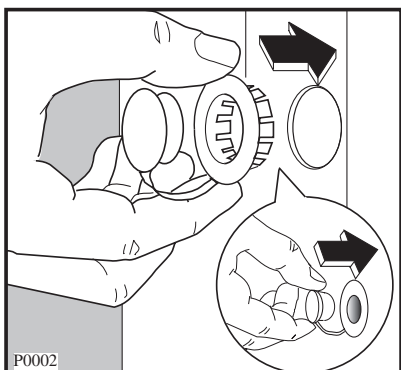
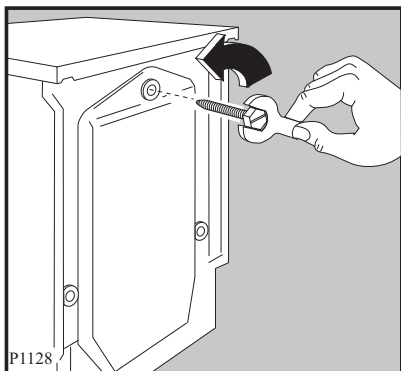
6. Carry out the bottom cover placed on the top of your appliance, lay its hook as the arrow «A» indicates and push the top of the cover to seal it closed.



Important!

You can find more detailed instructions regarding the bottom cover assembling in its relative bag.

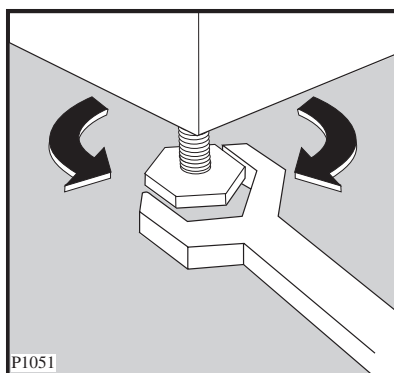
6. Set the machine upright and remove the remaining rear screw. Slide out the relevant pin.
7. Plug all the holes with the plugs which you will find in the envelope containing the instruction booklet.



Positioning

Install the machine on a flat hard floor. Make sure that air circulation around the machine is not impeded by carpets, rugs etc. Check that the machine does not touch the wall or other kitchen units.

Carefully level by screwing the adjustable feet in or out. Never place cardboard, wood or similar materials under the machine to compensate for any unevenness in the floor.

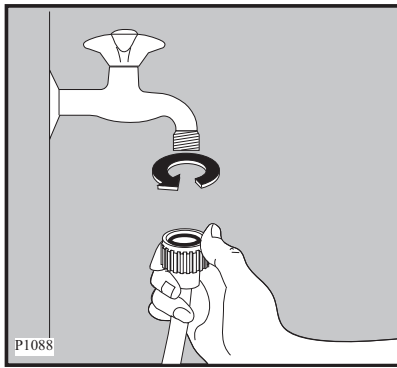


Water inlet

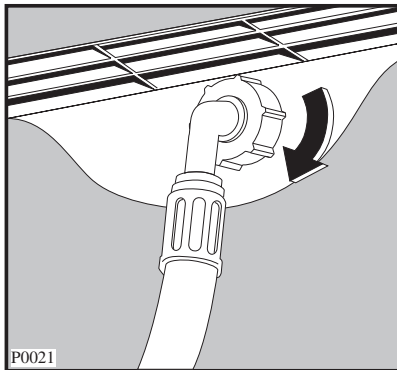
Connect the water inlet hose supplied with the appliance to a tap with a 3/4" thread.

Do not use already employed inlet hoses.

The other end of the inlet hose which connects to the machine can be turned in any direction. Simply loosen the fitting, rotate the hose and retighten the fitting, making sure there are no water leaks.



The inlet hose must not be lengthened. If it is too short and you do not wish to move the tap, you will have to purchase a new, longer hose specially designed for this type of use.

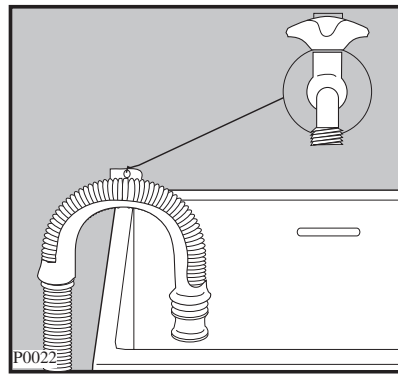


Water drainage

The end of the drain hose can be positioned in three ways:

Hooked over the edge of a sink using the plastic hose guide supplied with the machine.

In this case, make sure the end cannot come unhooked when the machine is emptying. This could be done by tying it to the tap with a piece of string or attaching it to the wall.



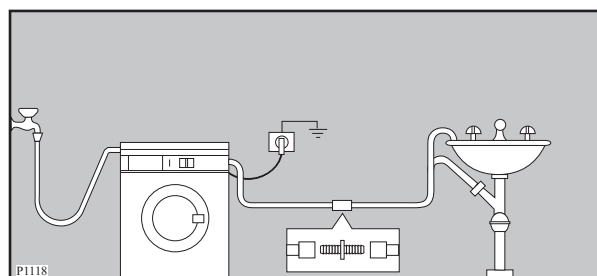
In a sink drain pipe branch. This branch must be above the trap so that the bend is at least 60 cm above the ground.

Directly into a drain pipe at a height of not less than 60 cm and not more than 90 cm. The end of the drain hose must always be **ventilated**, i.e. the inside diameter of the drain pipe must be larger than the outside diameter of the drain hose.

The drain hose must not be kinked.



For a correct functioning of the machine the drain hose must remain hooked on the proper support piece situated on the top part of the back side of the appliance.



The drain hose may be extended to a maximum of 4 metres. An additional drain hose and joining piece is available from your local Service Centre.

Electrical connection

Information on the electrical connection is given on the rating plate on the inner edge of the appliance door and in the chapter «Technical Data».

Check that your domestic electrical installation can take the maximum load required, also taking into account any other appliances in use.

Connect the machine to an earthed socket.



The manufacturer declines any responsibility for damage or injury through failure to comply with the above safety precaution.

The appliance is supplied with a 13amp plug fitted. In the event of having to change the fuse in the plug supplied, a 13amp ASTA approved (BS1363/A) fuse must be used.

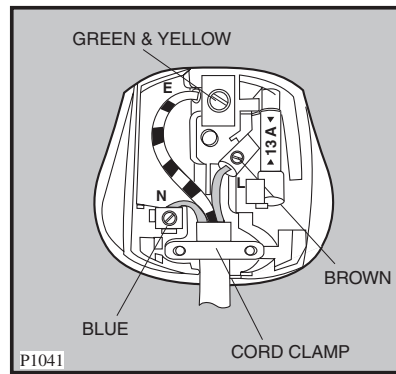
Should the plug need to be replaced for any reason, proceed as described below.

The wires in the mains lead are coloured in accordance with the following code:

- Green and Yellow.....- Earth
- Blue.....- Neutral
- Brown.....- Live

The wire coloured green and yellow must be connected to the terminal marked with the letter «E» or by the earth symbol \equiv or coloured green and yellow.

The wire coloured blue must be connected to the terminal marked «N» or coloured black.



The wire coloured brown must be connected to the terminal marked «L» or coloured red.

Upon completion there must be no cut, or stray strands of wire present and the cord clamp must be secure over the outer sheath.

Warning!



A cut off plug inserted into a 13 amp socket is a serious safety (shock) hazard.

Ensure that the cut off plug is disposed of safely. Should the appliance power supply cable need to be replaced, this MUST be carried out by our Service Force Centre.




Should the appliance power supply cable need to be replaced, this MUST be carried out by our Service Centre.

Please ensure that when the appliance is installed the power supply cable is easily accessible.

Environment concerns



Packaging materials

The materials marked with the symbol  are recyclable.

>PE<=polyethylene


>PS<=polystyrene

>PP<=polypropylene

This means that they can be recycled by disposing of them properly in appropriate collection containers.

Old machine

Use authorised disposal sites for your old appliance. Help to keep your country tidy!

The symbol  on the product or on its packaging indicates that this product may not be treated as household waste. Instead it shall be handed over to the applicable collection point for the recycling of electrical and electronic equipment. By ensuring this product is disposed of correctly, you will help prevent potential negative consequences for the environment and human health, which could otherwise be caused by inappropriate waste handling of this product. For more detailed information about recycling of this product, please contact your local city office, your household waste disposal service or the shop where you purchased the product.

Ecological hints

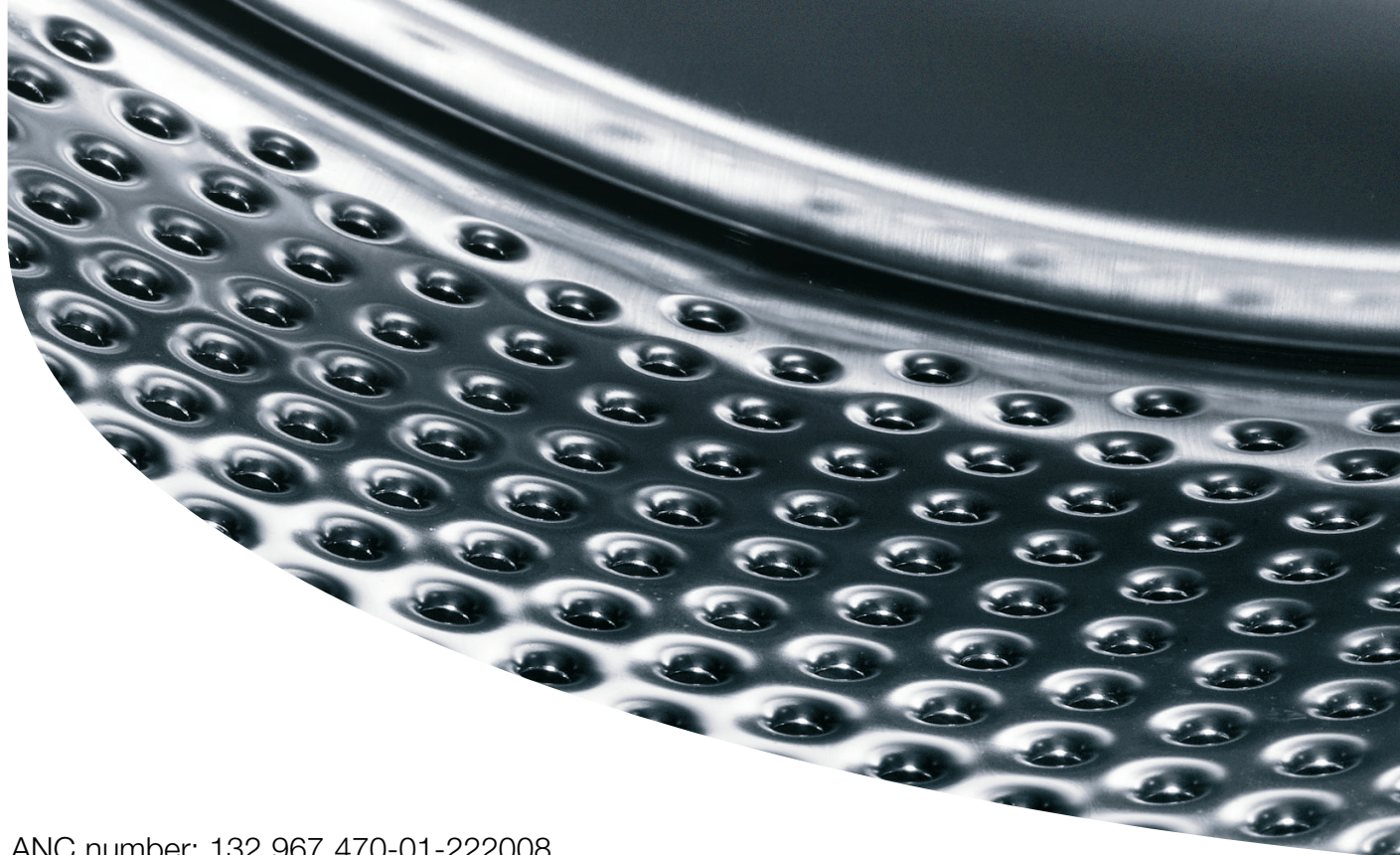


To save water, energy and to help protect the environment, we recommend that you follow these tips:

- Normally soiled laundry may be washed without prewashing in order to save detergent, water and time (the environment is protected too!).
- The machine works more economically if it is fully loaded.
- With adequate pre-treatment, stains and limited soiling can be removed; the laundry can then be washed at a lower temperature.
- Measure out detergent according to the water hardness, the degree of soiling and the quantity of laundry being washed.



www.electrolux.com



ANC number: 132 967 470-01-222008